



Phoenix Display International, Inc.

PRODUCT PREVIEW

5.7" 320 X 240 Monochrome

TN/STN

Graphics
Liquid Crystal Display

Small Size Graphics

The PDIG-32024012T(R)-VB is Monochrome with a 320 x 240 resolution. All our graphic displays products can be modified to add touch panels or removed upon request (there may or may not be tooling associated with touch-panel changes).

Product Application(s)

The products usage:

- Testing and Measurement
- Industrial
- Medical

SPECIFICATIONS

MODULE

Part Number	PDIG-32024012T(R)-VB
Overall Dimensions	165.5mm x 112.3mm x 11.0mm
Power Supply	5.0V
Backlight System	White LED
Display Type	STN, Negative, Transmissive
Format	320 x 240
Active Area	115.17mm x 86.37mm
Dot Size	
Pixel Pitch	
Operating Temperature	-20°C to 70°C
Driver Attach	TAB
Brightness	
Controller	S1D13700





Phoenix Display International, Inc.

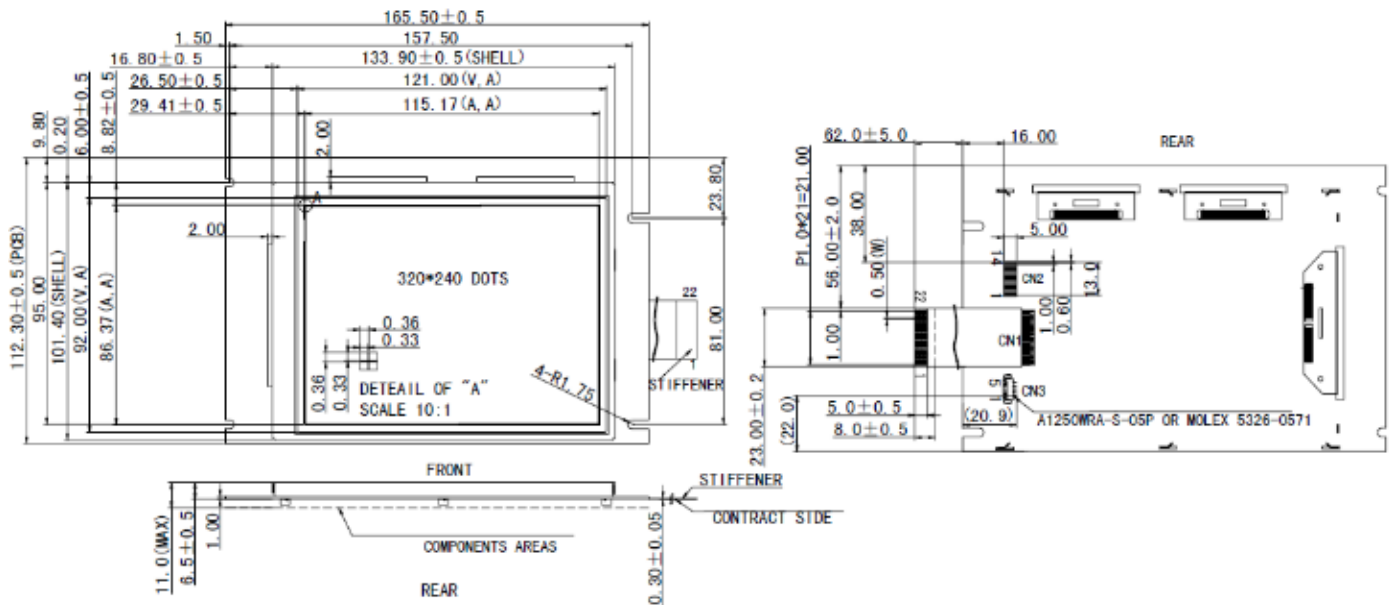
PRODUCT PREVIEW

5.7" 320 X 240 Monochrome

TN/STN

Graphics
Liquid Crystal Display

DIMENSIONAL DRAWING



Phoenix Display International reserves the right to change this document without prior notice and disclaims all warranties. It is the recipient's duty to confirm with PDI before proceeding with a design. This document is PDI confidential and should not be reproduced without PDI approval.



Phoenix Display International, Inc.
www.phoenixdisplay.com sales@phoenixdisplay.com
Tel: (630) 359-5700



Phoenix Display International, Inc.

TN/STN

Graphics
Liquid Crystal Display

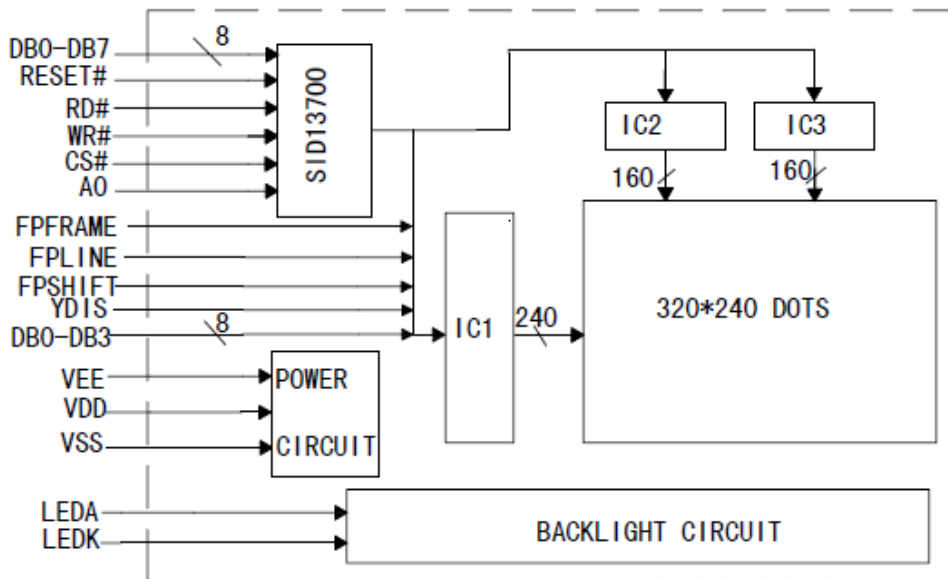
PRODUCT PREVIEW

5.7" 320 X 240 Monochrome

PIN ASSIGNMENT

CN1 PINS

PIN	1	2	3	4	5	6	7	8	9-16	17	18	19	20	21	22
SYMBOL	VSS	VDD	VADJ	RD#	WR#	CS#	A0	RESET#	DB0-DB7	VDD	VSS	NC	NC	VEE	NC



CN2 PINS

PIN	SYMBOL
1	FPFRAME
2	NC
3	FPLINE
4	FPSHIFT
5	YDIS
6-9	DB0-DB3
10	VDD
11	VSS
12	VEE
13	VO
14	F.G

CN3 PINS

PIN	SYMBOL
1	NC
2	NC
3	NC
4	LEDA
5	LEDK

