



# PHOENIX DISPLAY INTERNATIONAL, INC.

---

## PHOENIX DISPLAY INTERNATIONAL, INC

### SPECIFICATION FOR LCD MODULE

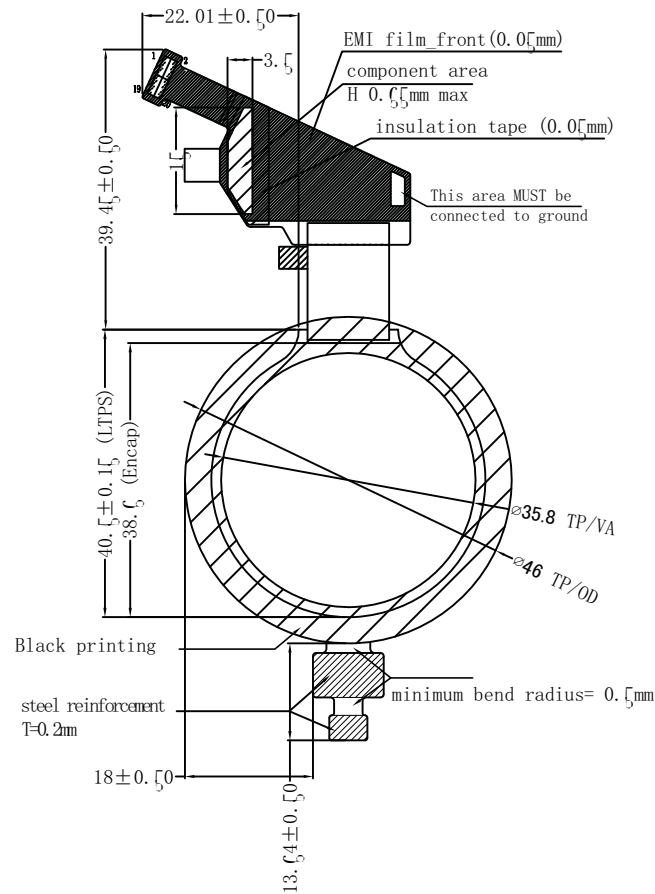
<b>CUSTOMER</b>	
<b>PART NUMBER</b>	PDIAT1392AM1BCP
<b>DESCRIPTION</b>	1.39" 400 x 400 AMOLED
<b>VERSION</b>	
<b>ISSUE DATE</b>	

**COMPANY ADDRESS:**

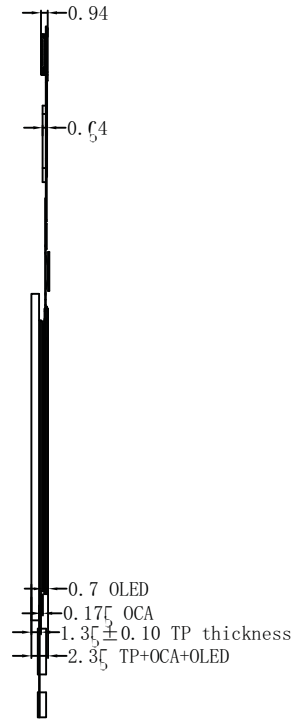
Phoenix Display International, Inc.  
6150 W. Gila Springs Place Unit 2  
Chandler, AZ 85226  
USA  
[www.phoenixdisplay.com](http://www.phoenixdisplay.com)  
(630) 359-5700 office  
(630) 359-5701 fax

Please reference  
RM67160 Data Sheet

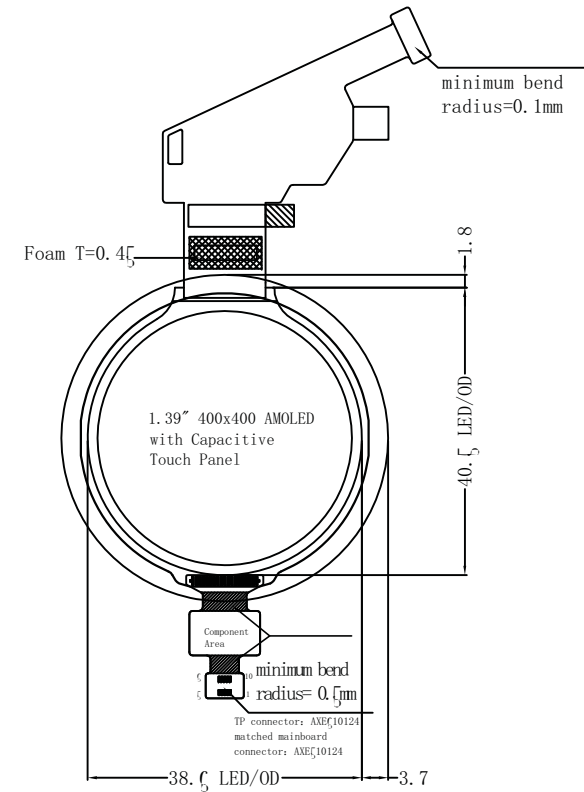
### Front viewing



### Side viewing



### Back viewing



OLED	
PIN	Define
1	ELVSS1
2	ELVDD1
3	ELVSS2
4	ELVDD2
5	ELVSS3
6	ELVDD3
7	VCI
8	GND2
9	VDDIO
10	DSI_DON
11	GND1
12	DSI_DOP
13	TE
14	GND3
15	VPP
16	DSI_CLKN
17	REST
18	DSI_CLKP
19	SWIRE
20	GND4

Please reference the  
IT7277BXQN Data Sheet

Capacity touch panel	
PIN	Define
1	VDD_1.8
2	VDD
3	GND
4	NC
5	NC
6	XRES
7	SDA
8	NC
9	SCL
10	INT

### Specifications

- TP driver IC: IT7277BXQN
- AMOLED Driver IC: RM67160
- Voltage supply: 2.8V
- Interface voltage supply: 1.8V
- transmittance:  $\geq 82\%$
- Surface harness: CH
- work temperature:  $-10^{\circ}\text{C} \sim +50^{\circ}\text{C}$ ,  $\leq 90\%RH$
- Storage temperature:  $-20^{\circ}\text{C} \sim +50^{\circ}\text{C}$ ,  $\leq 90\%RH$
- Vital size mark: \*\* Tolerance:  $\pm 0.2\text{mm}$

A-TOPS ELECTRONICS CO., LTD				SHEET	UNIT	SCALE	INCH	3rd ANGLE
				1 of 1	mm	1 : 1		
Module NO.	AT1392AM1BCP	DATE						
Version	1.0	DATE						