



**PHOENIX DISPLAY
INTERNATIONAL, INC.**

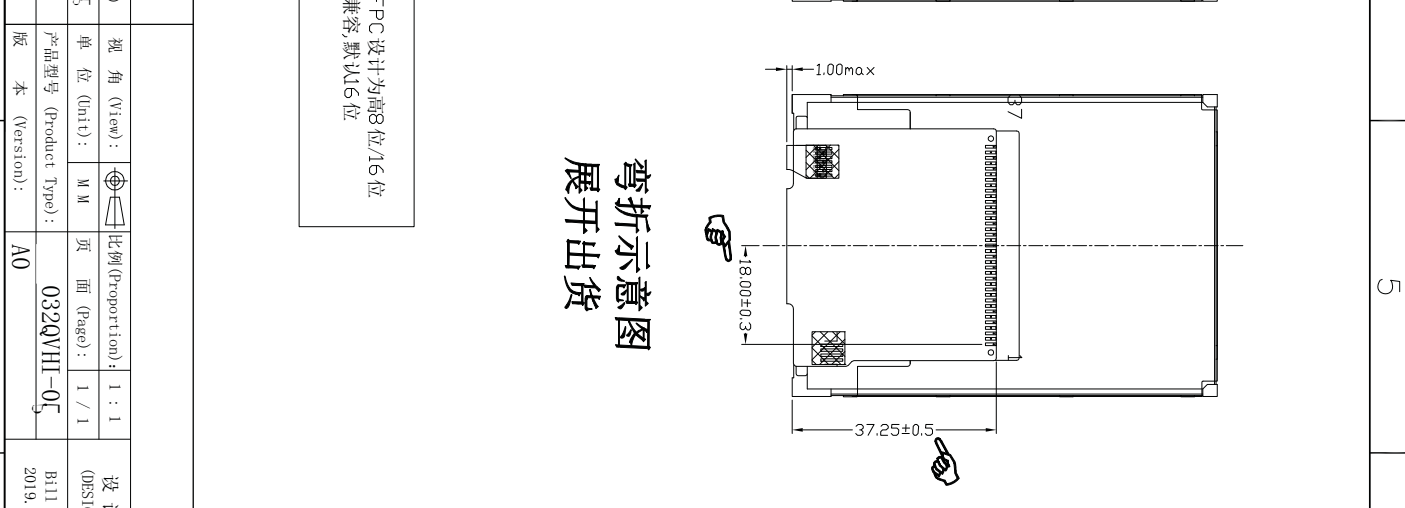
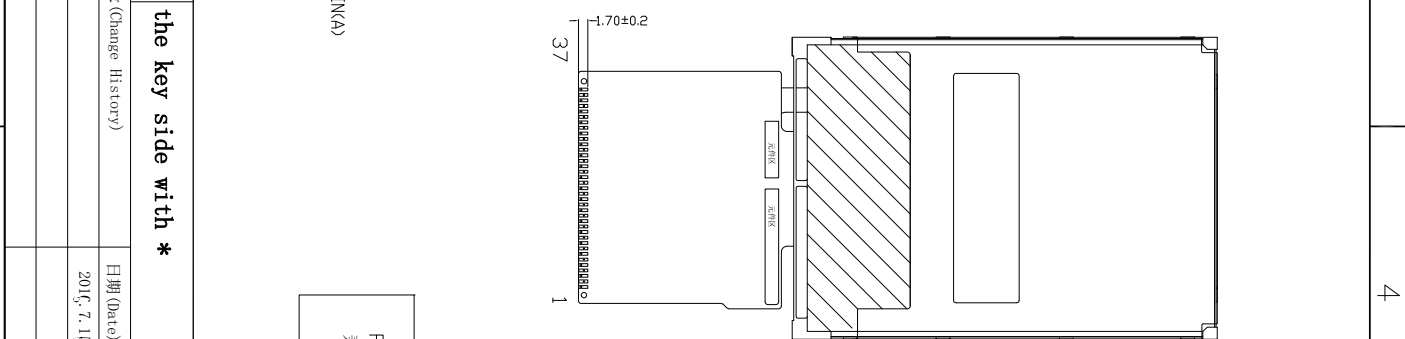
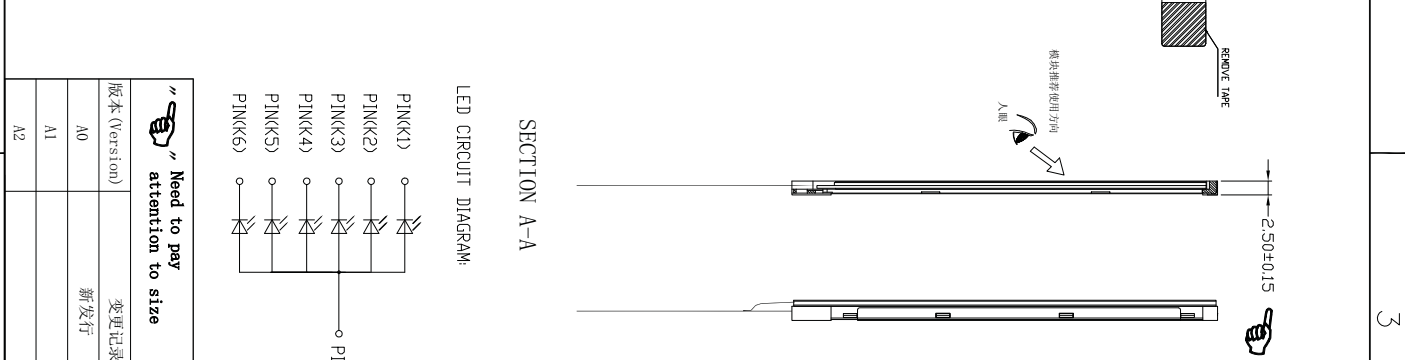
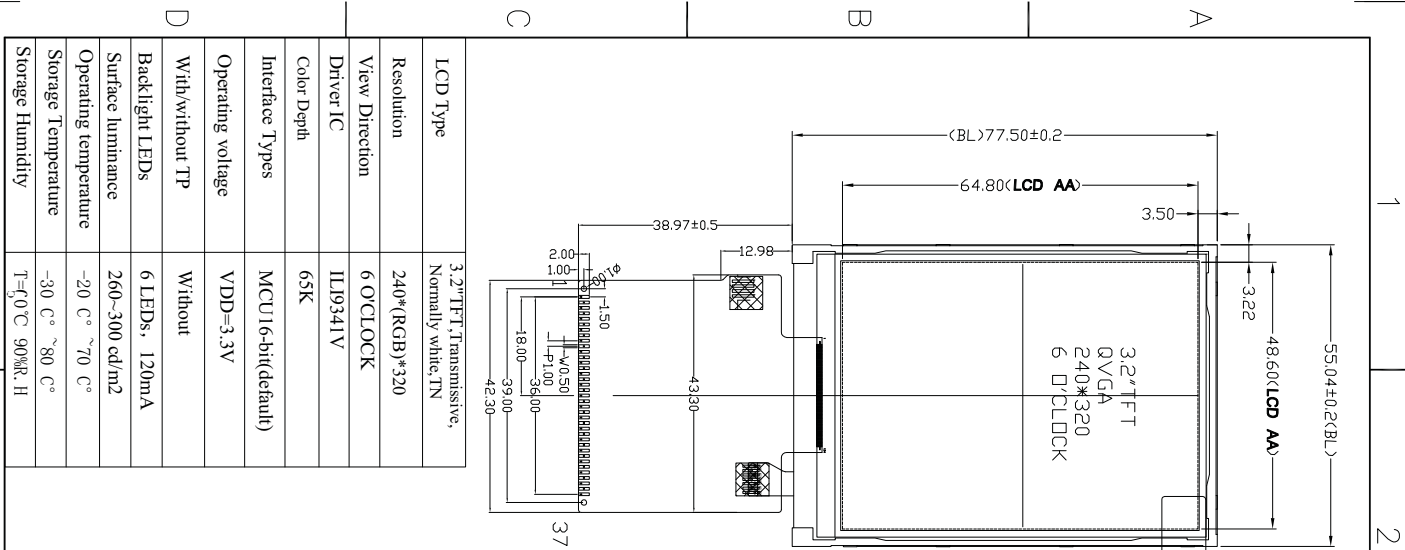
PHOENIX DISPLAY INTERNATIONAL, INC

SPECIFICATION FOR LCD MODULE

CUSTOMER	
PART NUMBER	PDI032QVHI-05
DESCRIPTION	3.2" 240 * RGB * 320
VERSION	
ISSUE DATE	

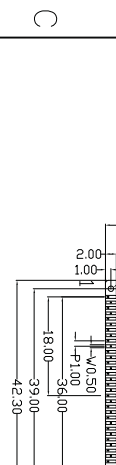
COMPANY ADDRESS:

Phoenix Display International, Inc.
6150 W. Gila Springs Place Unit 2
Chandler, AZ 85226
USA
www.phoenixdisplay.com
(630) 359-5700 office
(630) 359-5701 fax



PIN	DESCRIPTION
1	GND
2	VDD
3	VDD
4	CS
5	RS
6	WR
7	RD
8	RESET
9	DB0
10	DB1
11	DB2
12	DB3
13	DB4
14	DB5
15	DB6
16	DB7
17	DB8
18	DB9
19	DB10
20	DB11
21	DB12
22	DB13
23	DB14
24	DB15
25	GND
26	Y-/NC
27	X-/NC
28	Y+/NC
29	X+/NC
30	LEDK1
31	LEDK2
32	LEDK3
33	LEDK4
34	LEDK5
35	LEDA
36	LEDA
37	GND

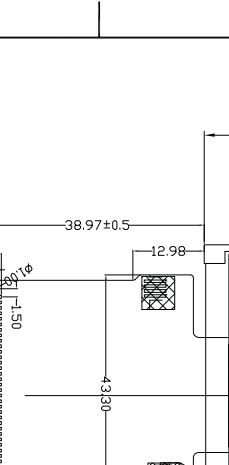
LCD Type	3.2" TFT, Transmissive, Normally white, TN
Resolution	240*(RGB)*320
View Direction	6 O'CLOCK
Driver IC	ILI9341V
Color Depth	65K
Interface Types	MCUI(6-bit(default))
Operating voltage	VDD=3.3V
With/without TP	Without
Backlight LEDs	6 LEDs, 120mA
Surface luminance	260~300 cd/m ²
Operating temperature	-20 C° ~ 70 C°
Storage Temperature	-30 C° ~ 80 C°
Storage Humidity	T=0°C, 90%RH



LED CIRCUIT DIAGRAM:



FPC 设计为高8位/16位兼容, 默认6位



Need to pay attention to size	the key side with *							
版本 (Version)	变更记录 (Change History)	日期 (Date)	视角 (View):	比例 (Proportion):	设计 (DESIGN)	审核 (AUDITING)	批准 (APPROVED)	
A0	新发行	2015.7.15	单位 (Unit):	M M	页 面 (Page):	1 / 1	Bi:11	Aron
A1			产品型号 (Product Type):		032QVHT-05		2019.3.27	
A2			版 本 (Version):	A0				

1	2	3	4	5	6
---	---	---	---	---	---