



**PHOENIX DISPLAY  
INTERNATIONAL, INC.**

---

**PHOENIX DISPLAY INTERNATIONAL, INC**

**SPECIFICATION FOR LCD MODULE**

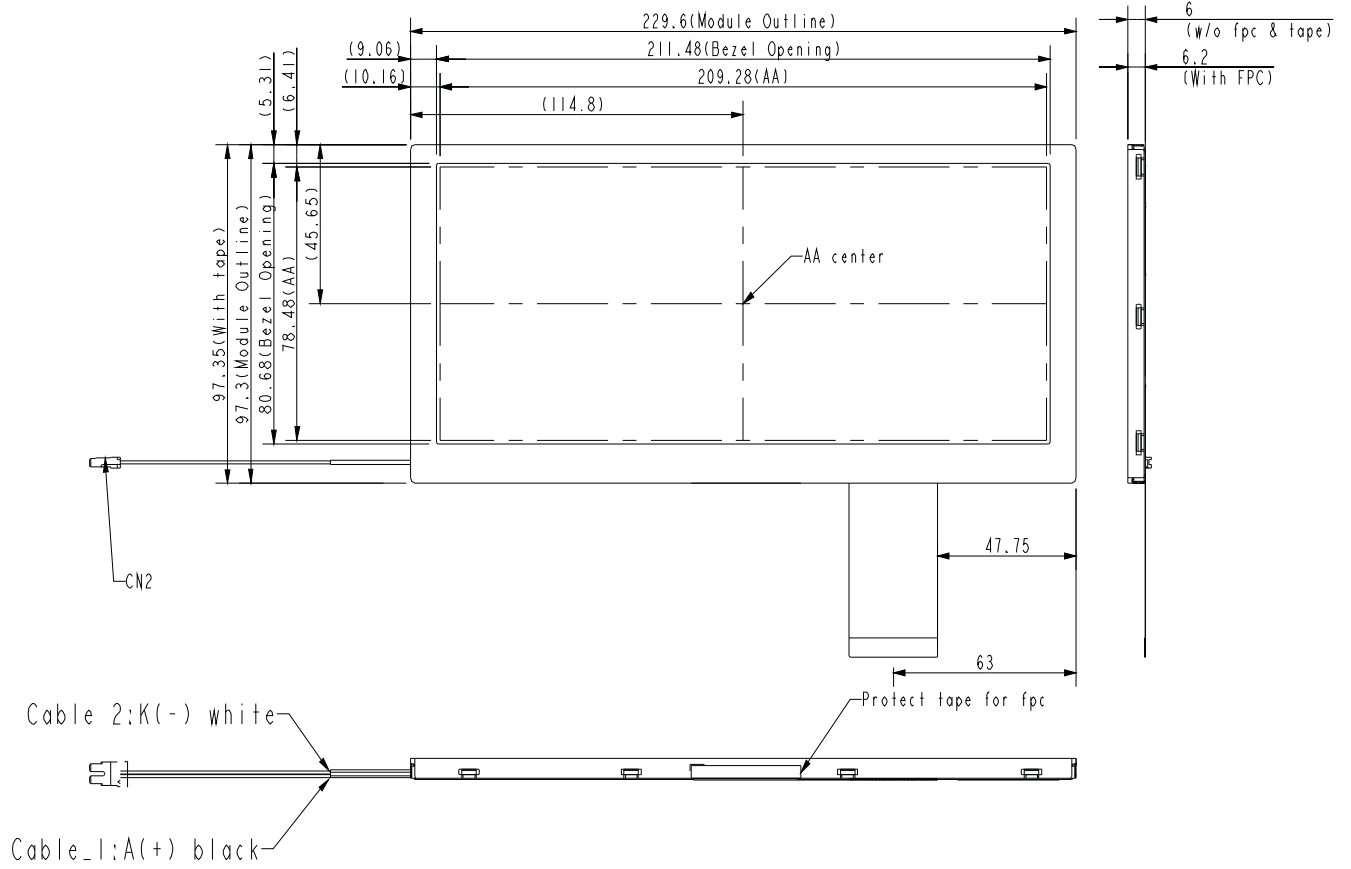
|                    |                       |
|--------------------|-----------------------|
| <b>CUSTOMER</b>    |                       |
| <b>PART NUMBER</b> | PDI088WA01XN          |
| <b>DESCRIPTION</b> | 8.8" 1280 * RGB * 720 |
| <b>VERSION</b>     |                       |
| <b>ISSUE DATE</b>  |                       |

**COMPANY ADDRESS:**

Phoenix Display International, Inc.  
6150 W. Gila Springs Place Unit 2  
Chandler, AZ 85226  
USA  
[www.phoenixdisplay.com](http://www.phoenixdisplay.com)  
(630) 359-5700 office  
(630) 359-5701 fax

Front Side

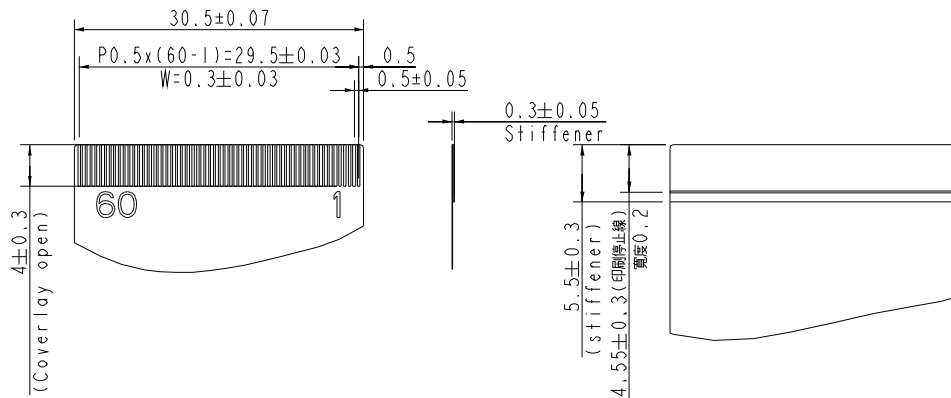
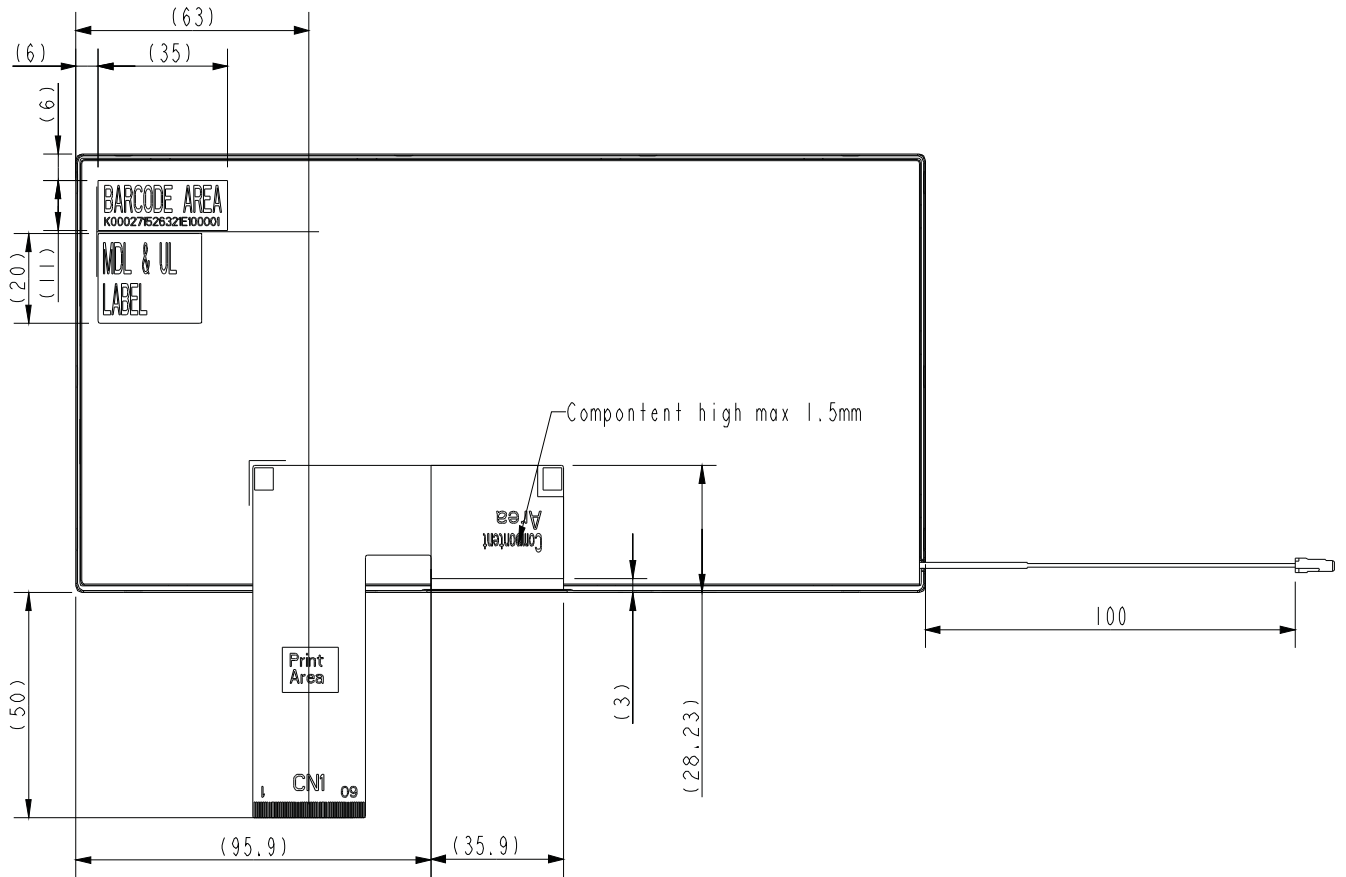
[Unit : mm]



NOTE: General tolerance=±0.3mm

Rear Side

[Unit : mm]



NOTE: General tolerance  $\pm 0.3$ mm  
 CN1 suggest connector (60pin): 089K60-000100-G2-R (STARCONN)  
 CN2 suggest connector SM02B-BHSS-1(JST)