



PHOENIX DISPLAY INTERNATIONAL, INC.

PHOENIX DISPLAY INTERNATIONAL, INC

SPECIFICATION FOR LCD MODULE

CUSTOMER	
PART NUMBER	PDI101WXBN-17
DESCRIPTION	10.1" 1280*800
VERSION	V1
ISSUE DATE	

COMPANY ADDRESS:

Phoenix Display International, Inc.
6150 W. Gila Springs Place Unit 2
Chandler, AZ 85226
USA

www.phoenixdisplay.com

(630) 359-5700 office

(630) 359-5701 fax

Records of Revision

DATE	REF.PAGE PARAGRAPH DRAWING No.	REVISED No.	SUMMARY	REMARK
		V01	First Issue	

Contents

1. General Specification.....	4
2. Mechanical Drawing.....	5
3. Block Diagram.....	6
4. Interface Pin Function.....	7
5. Absolute Maximum Ratings.....	8
6. Electrical Characteristics.....	9
7. Optical Characteristics.....	10
8. Timing Characteristics.....	13
9. Standard Specification for Reliability.....	17
10. Specification of Quality Assurance.....	18
11. Handling Precaution.....	27
12. Packing Method.....	28

1. General Specification

Item	Contents	Unit
LCD TYPE	TFT/TRANSMISSIVE	
MODULE SIZE (W*H*T)	229.7*149.15*5.0	MM
ACTIVE SIZE (W*H)	216.96*135.6	MM
PIXEL PITCH (W*H)	0.1695*0.1695	MM
NUMBER OF DOTS	1280*800	
DRIVER IC	HX8861-H11	
INTERFACE TYPE	LVDS	
TOP POLARIZER TYPE	ANTI-GLARE	
RECOMMEND VIEWING DIRECTION	ALL	O'CLOCK
GRAY SCALE INVERSION DIRECTION	-	O'CLOCK
BACKLIGHT TYPE	36-DIES WHITE LED	
TOUCH PANEL TYPE	WITHOUT	

2. Mechanical Drawing

P/N DESCRIPTION	
1	LED
2	LED
3	LED
4	LED
5	LED
6	LED
7	LED
8	LED
9	LED
10	LED
11	LED
12	LED
13	LED
14	LED
15	LED
16	LED
17	LED
18	LED
19	LED
20	LED
21	LED
22	LED
23	LED
24	LED
25	LED
26	LED
27	LED
28	LED
29	LED
30	LED
31	LED
32	LED
33	LED
34	LED
35	LED
36	LED
37	LED
38	LED
39	LED
40	LED
41	LED
42	LED
43	LED
44	LED
45	LED
46	LED
47	LED
48	LED
49	LED
50	LED
51	LED
52	LED
53	LED
54	LED
55	LED
56	LED
57	LED
58	LED
59	LED
60	LED
61	LED
62	LED
63	LED
64	LED
65	LED
66	LED
67	LED
68	LED
69	LED
70	LED
71	LED
72	LED
73	LED
74	LED
75	LED
76	LED
77	LED
78	LED
79	LED
80	LED
81	LED
82	LED
83	LED
84	LED
85	LED
86	LED
87	LED
88	LED
89	LED
90	LED
91	LED
92	LED
93	LED
94	LED
95	LED
96	LED
97	LED
98	LED
99	LED
100	LED

NOTES:
 1. GENERAL TOLERANCE: ± 0.2
 2. () REFERENCE DIMENSION
 3. REQUIREMENTS ON ENVIRONMENTAL PROTECTION: RoHS

LED CIRCUIT
 10.8V~13.6V@9*40MA=360MA

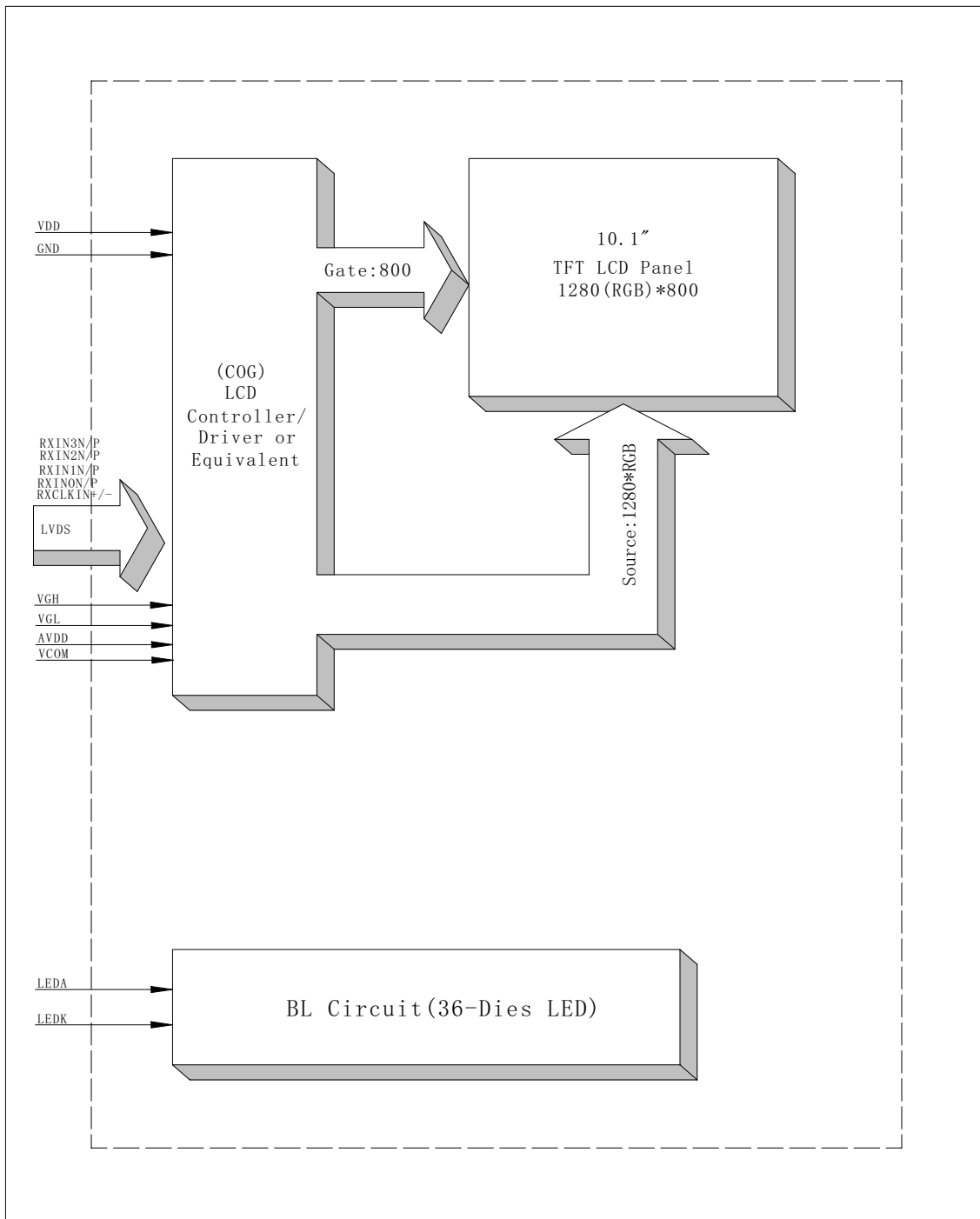
PIN	
1	+
2	+
3	+
4	+
5	+
6	+
7	+
8	+
9	+
10	+
11	+
12	+
13	+
14	+
15	+
16	+
17	+
18	+
19	+
20	+
21	+
22	+
23	+
24	+
25	+
26	+
27	+
28	+
29	+
30	+
31	+
32	+
33	+
34	+
35	+
36	+
37	+
38	+
39	+
40	+
41	+
42	+
43	+
44	+
45	+
46	+
47	+
48	+
49	+
50	+
51	+
52	+
53	+
54	+
55	+
56	+
57	+
58	+
59	+
60	+
61	+
62	+
63	+
64	+
65	+
66	+
67	+
68	+
69	+
70	+
71	+
72	+
73	+
74	+
75	+
76	+
77	+
78	+
79	+
80	+
81	+
82	+
83	+
84	+
85	+
86	+
87	+
88	+
89	+
90	+
91	+
92	+
93	+
94	+
95	+
96	+
97	+
98	+
99	+
100	+

SOLDERS	
1	SOLDER
2	SOLDER
3	SOLDER
4	SOLDER
5	SOLDER
6	SOLDER
7	SOLDER
8	SOLDER
9	SOLDER
10	SOLDER
11	SOLDER
12	SOLDER
13	SOLDER
14	SOLDER
15	SOLDER
16	SOLDER
17	SOLDER
18	SOLDER
19	SOLDER
20	SOLDER
21	SOLDER
22	SOLDER
23	SOLDER
24	SOLDER
25	SOLDER
26	SOLDER
27	SOLDER
28	SOLDER
29	SOLDER
30	SOLDER
31	SOLDER
32	SOLDER
33	SOLDER
34	SOLDER
35	SOLDER
36	SOLDER
37	SOLDER
38	SOLDER
39	SOLDER
40	SOLDER
41	SOLDER
42	SOLDER
43	SOLDER
44	SOLDER
45	SOLDER
46	SOLDER
47	SOLDER
48	SOLDER
49	SOLDER
50	SOLDER
51	SOLDER
52	SOLDER
53	SOLDER
54	SOLDER
55	SOLDER
56	SOLDER
57	SOLDER
58	SOLDER
59	SOLDER
60	SOLDER
61	SOLDER
62	SOLDER
63	SOLDER
64	SOLDER
65	SOLDER
66	SOLDER
67	SOLDER
68	SOLDER
69	SOLDER
70	SOLDER
71	SOLDER
72	SOLDER
73	SOLDER
74	SOLDER
75	SOLDER
76	SOLDER
77	SOLDER
78	SOLDER
79	SOLDER
80	SOLDER
81	SOLDER
82	SOLDER
83	SOLDER
84	SOLDER
85	SOLDER
86	SOLDER
87	SOLDER
88	SOLDER
89	SOLDER
90	SOLDER
91	SOLDER
92	SOLDER
93	SOLDER
94	SOLDER
95	SOLDER
96	SOLDER
97	SOLDER
98	SOLDER
99	SOLDER
100	SOLDER

TFT	
Display Type	NORMALLY BLACK TRANSMISSIVE
Viewing Angle	ALL VIEW DIRECTION
LCD Driver IC	TBD
Logic Voltage	VDD=3.3V
Operation Temperature	-20°C TO 60°C
Storage Temperature	-20°C TO 80°C
Interface	LWDS interface
Backlight	36-LED WHITE
Surface luminance	1000cd/m2
White XY	---

DRAWING NO.			
UNIT	mm	SCALE	FIT
3rd Angle			SHEET 1 OF 1
TITLE			
MODULE SPEC.			
DRAWN	ME CHECKED	EE CHECKED	APPROVED
			CUSTOMER'S APPROVAL
VER. SYMBOL	AMENDMENT	DATE	SIGN
V00	First Issue	2016.05.12	

3. Block Diagram



4.Interface Pin Function

Pin No.	Symbol	Description
1	VCOM	Common Voltage
2	VDD	Logic power 3.3V
3	VDD	Logic power 3.3V
4	NC	No connect
5	NC	No connect
6	NC	No connect
7	GND	Ground
8	RXIN0-	-LVDS differential data input
9	RXIN0+	+ LVDS differential data input
10	GND	Ground
11	RXIN1-	-LVDS differential data input
12	RXIN1+	+ LVDS differential data input
13	GND	Ground
14	RXIN2-	-LVDS differential data input
15	RXIN2+	+ LVDS differential data input
16	GND	Ground
17	RXCLKIN-	-LVDS differential data input
18	RXCLKIN+	+ LVDS differential data input
19	GND	Ground
20	RXIN3-	-LVDS differential data input
21	RXIN3+	+ LVDS differential data input
22	GND	Ground
23	NC	No connect
24	NC	No connect
25	GND	Ground
26	NC	No connect
27	NC	No connect
28	NC	No connect
29	AVDD	Power for Analog Circuit
30	GND	Ground
31	LED-	LED cathode
32	LED+	LED anode
33	NC	No connect
34	NC	No connect
35	VGL	Gate OFF Voltage
36	NC	No connect
37	NC	No connect
38	VGH	Gate ON Voltage
39	LED+	LED anode
40	LED+	LED anode

5. Absolute Maximum Ratings

Parameter	Symbol	Min	Max	Unit	
Supply voltage for analog	VDD	-0.3	5	V	
Supply voltage for logic	AVDD	-0.5	14.85	V	
Supply current (One LED)	I _{LED}		60	mA	
Operating temperature	T _{OP}	-20	+70	°C	
Storage temperature	T _{ST}	-20	+80	°C	

Note : The absolute maximum rating values of this product are not allowed to be exceeded at any times. Should a module be used with any of the absolute maximum ratings exceeded, the characteristics of the module may not be recovered, or in an extreme case, the module may be permanently destroyed.

6. Electrical Characteristics

6.1 Input Power

Item	Symbol	Min	Typ.	Max	Unit	Applicable terminal
Supply Voltage for Logic	VDD	3.0	3.3	3.6	V	
Supply Voltage for Analog	AVDD	8.3	8.5	8.7	V	
Power supply	VGH	21.5	22	22.5	V	
Power supply	VGL	7.7	8.2	8.7	V	
Power supply	VCOM	3.2	3.4	3.6	V	
Input Voltage	V _{IL}	GND	-	0.3VDD	V	
	V _{IH}	0.7VDD	-	VDD		
Input leakage Current	I _{LKG}	-	-	-	μA	

6.2 Backlight Driving Conditions

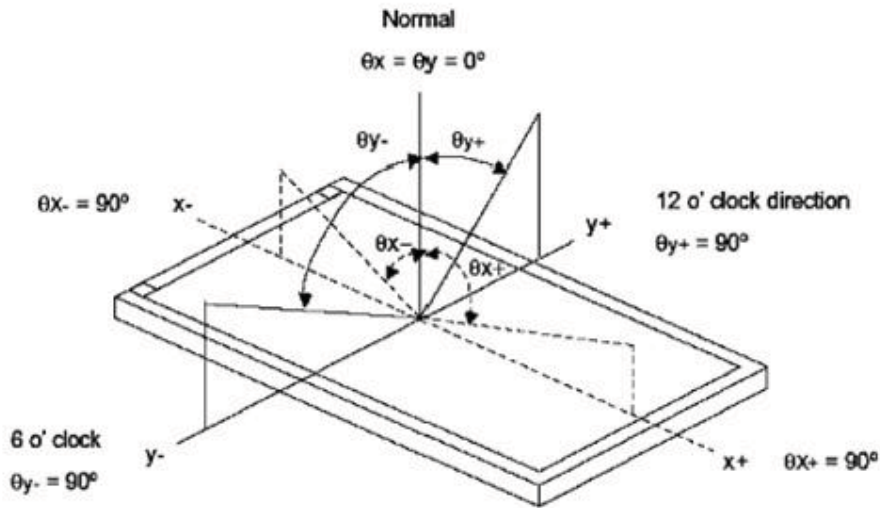
Item	Symbol	Value			Unit	Remark
		Min.	Typ.	Max.		
Voltage for LED Backlight	V _F	10.8	12.8	13.6	V	I _L =360mA
Current for LED Backlight	I _L		360		mA	
Power Consumption	P		4.608		W	
LED Life Time		30,000	50,000		Hr	Note

Note: Brightness to be decreased to 50% of the initial value at ambient temperature TA=25°C

7. Optical Characteristics

ITEM	SYMBOL	CONDITIONS	SPECIFICATIONS			UNIT	NOTE	
			MIN	TYP.	MAX			
Luminance	L	$I_L = 360\text{mA}$	800	1000	1200	Cd/m^2		
Contrast Ratio	CR	$\theta = 0^\circ$	700	900				
Response Time	T_{ON}	25°C		30		ms		
	T_{OFF}							
CIE Color Coordinate	Red	X_R		TBD				
		Y_R		TBD				
	Green	X_G		TBD				
		Y_G		TBD				
	Blue	X_B		TBD				
		Y_B		TBD				
	White	X_W		0.283	0.303			0.323
		Y_W		0.319	0.339			0.359
Viewing Angle	Hor.	θ_{X+}		80		Degree	Gray scale inversion	
		θ_{X-}		80				
	Ver.	θ_{Y+}		80				
		θ_{Y-}		80				
Uniformity	Un		75	80		%		

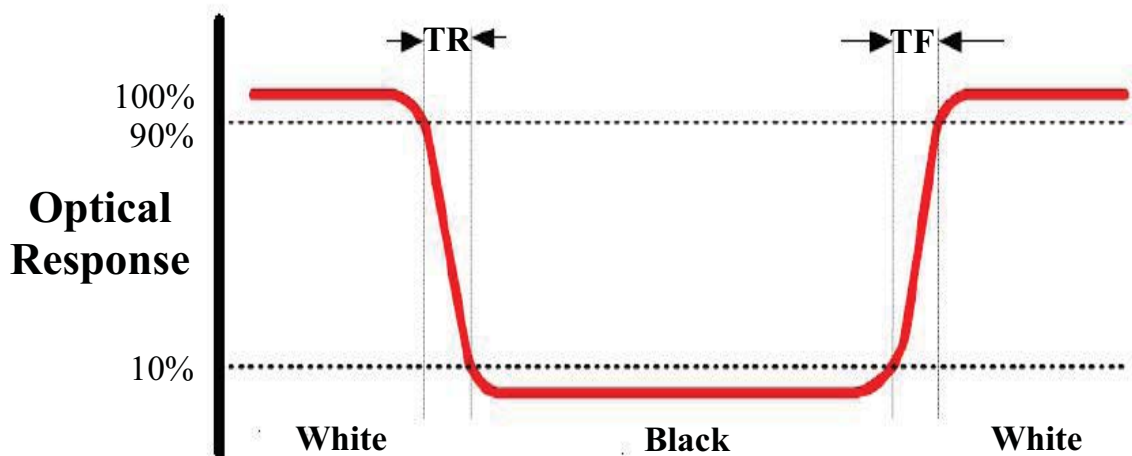
Note 1: Definition of Viewing Angle θ_x and θ_y :



Note 2: Definition of contrast ratio CR:

$$CR = \frac{\text{Luminance of white state}}{\text{Luminance of black state}}$$

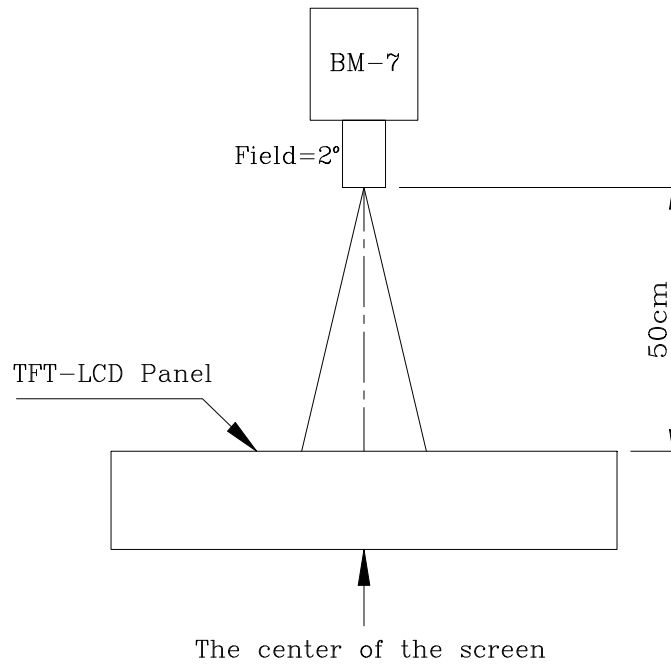
Note 3: Definition of Response Time (T_r, T_f)



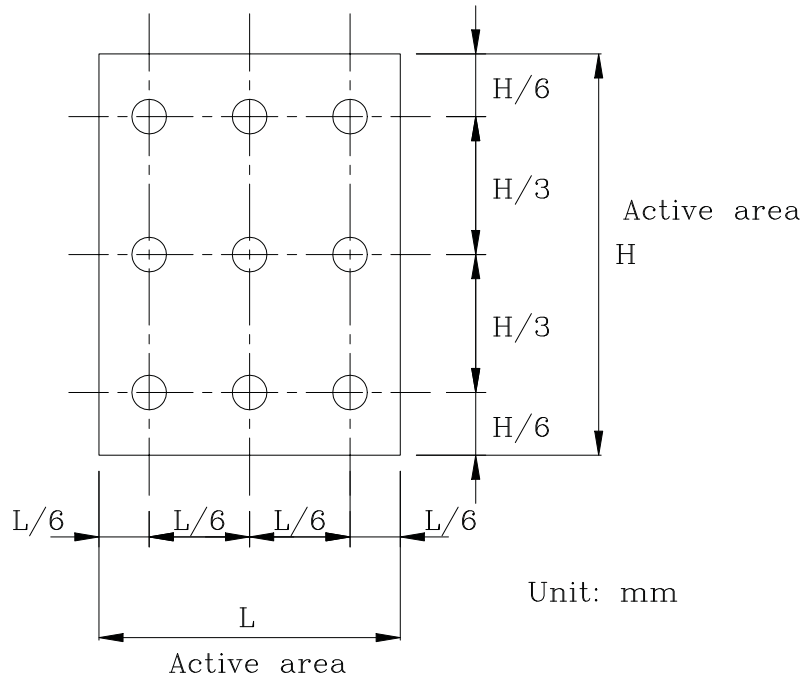
Note 4: Definition of Luminance

① The Brightness Test Equipment Setup

Field=2° (As measuring “black” image, field=2° is the best testing condition)

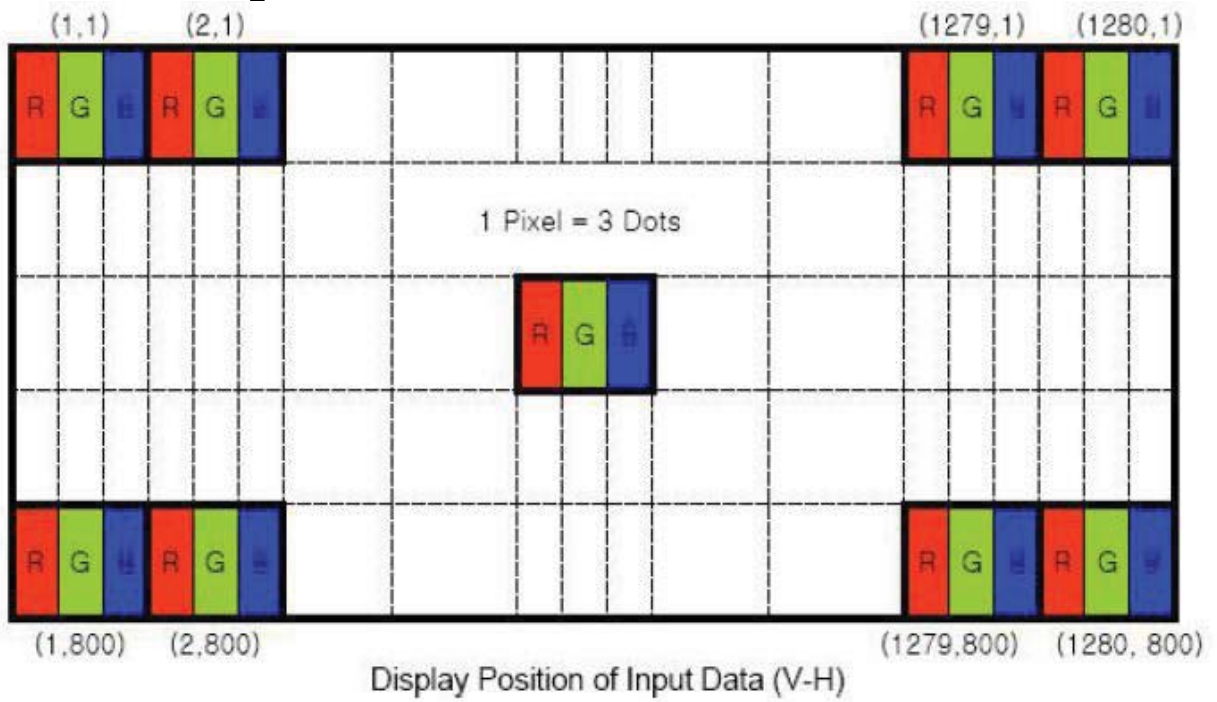


②The Brightness Test Point Setup

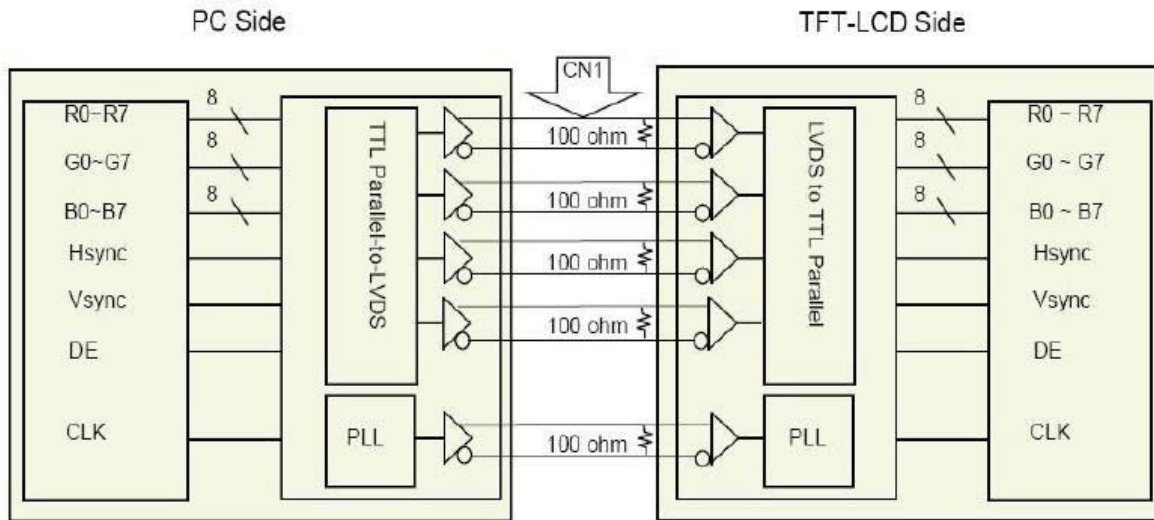


8. Timing Characteristics

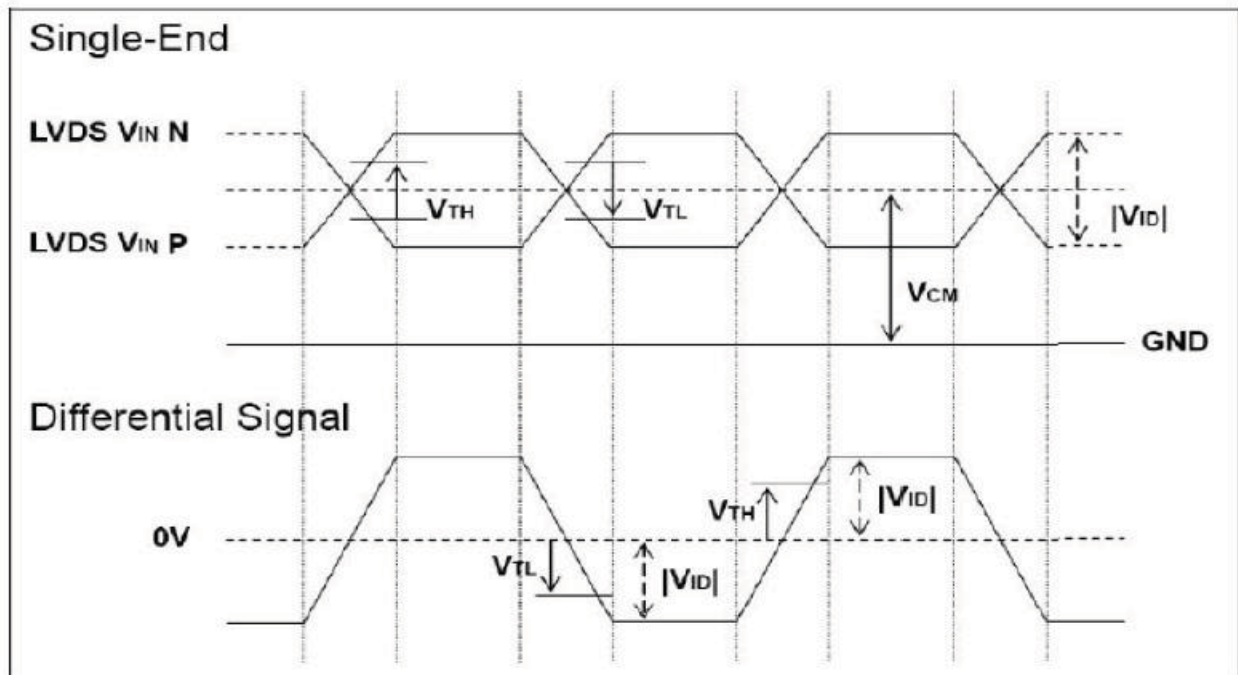
8.1 DATA input format



8.2 LVDS interface

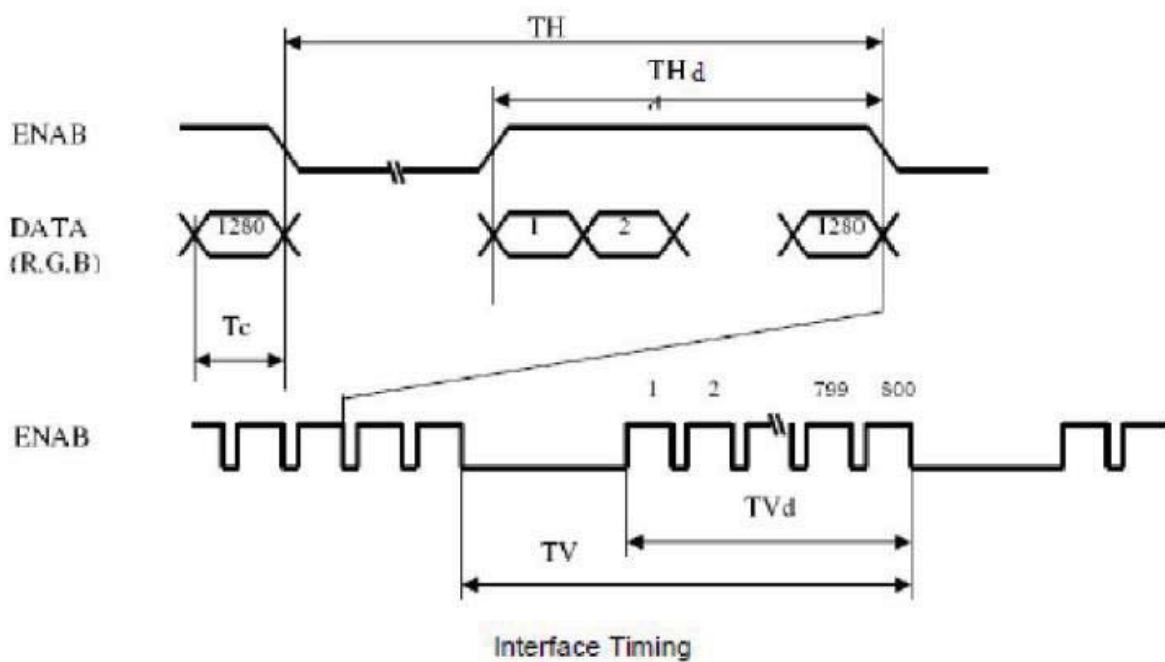


8.3 LVDS input signal

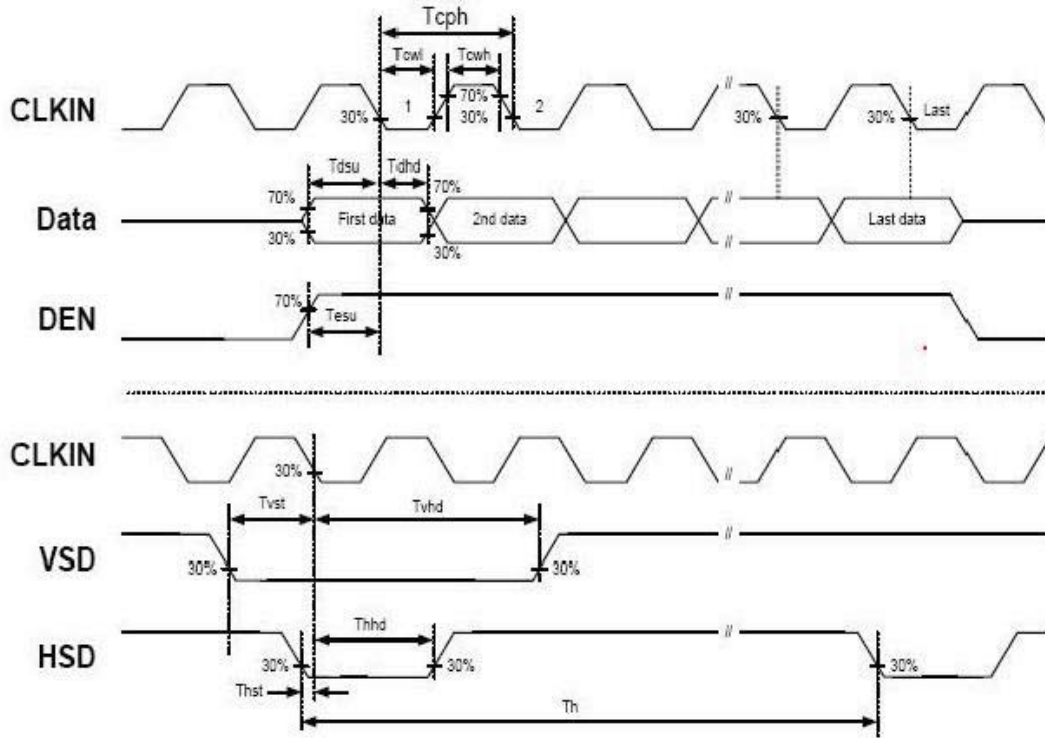


8.4 LVDS timing specification

Signal	Item	Symbol	Min	Type	Max	Unit
DCLK	Frequency	1/TC	60	65	70	MHz
	Cycle	Tc	16.66	15.38	14.3	ns
DE	Horizontal Period	THd	1280	1280	1280	Tc
	Horizontal Cycle	TH	1310	1330	1560	Tc
		TH_time	19.5	20.46	21.83	ns
	Vertical Period	TVd	800	800	800	Tc
	Vertical Cycle	TV	-	812	-	Tc



8.5 INPUT clock and timing diagram



9. Standard Specification for Reliability

9.1 Standard Specification for Reliability of LCD Module

No.	Item	Description	Remarks
01	High temperature operation	Ts=+70℃, 240hrs.	Note1, IEC60068-2-2, GB2423.2—89
02	Low temperature operation	Ta=-20℃, 240hrs	Note2, IEC60068-2-1, GB2423.1—89
03	High temperature storage	Ta=+80℃, 240hrs	IEC 60068-2-2, GB2423.2-89
04	Low temperature storage	Ta=-20℃, 240hrs	IEC 60068-2-1, GB2423.1-89
05	High Temperature & High Humidity (NonOperation)	+70℃, 90% RH max, 240 hours	IEC60068-2-3, GB/T2423.3—2006
06	Thermal Shock (Nonoperation)	-20℃ 30 min~+80℃ 30 min, Change time:5min, 30 Cycle	Start with cold temperature, end with high temperature IEC60068-2-14, GB2423.22—87
07	Electro Static Discharge (Operation)	C=150pF, R=330Ω, 5points/panel Air:±8KV, 5times; Contact:±4KV, 5 times; (Environment: 15℃~35℃, 30%~60%, 86Kpa~106Kpa)	IEC 61000-4-2 GB/T17626.2-1998
08	Vibration (Nonoperation)	Frequency range:10~55Hz, Stroke:1.5mm Sweep:10Hz~55Hz~10Hz 2 hours for each direction of X.Y.Z.(packagecondition)	IEC60068-2-6 GB/T2423.10—1995
09	Shock (Nonoperation)	60G 6ms, ±X,±Y,±Z 3times for each direction	IEC60068-2-27 GB/T2423.5—1995
10	Package Drop Test	Height:80 cm, 1 corner, 3 edges, 6 surfaces	IEC60068-2-32 GB/T2423.8—1995

Note1: Ts is the temperature of panel's surface.

Note2: Ta is the ambient temperature of sample.

9.2 Testing Conditions and Inspection Criteria

For the final test, the testing sample must be stored at room temperature for 24 hours. After the tests listed in Table 9.2, standard specifications for reliability will be executed in order to ensure stability.

No.	Item	Test Model	In section Criteria
01	Current Consumption	Refer To Specification	The current consumption should conform to the product specification.
02	Contrast	Refer To Specification	After the tests have been executed, the contrast must be larger than half of its initial value prior to the tests.
03	Appearance	Visual inspection	Defect free.

9.3 MTBF

MTBF	Functions, performance, appearance, etc. shall be free from remarkable deterioration within 50,000 hours under ordinary operating and storage conditions room temperature ($25\pm 5^{\circ}\text{C}$), normal humidity ($50\pm 10\%$ RH), and in area not exposed to direct sun light.
------	---

10. Specification of Quality Assurance

This standard of Quality Assurance confirms to the quality of LCD module products supplied by Tecenstar.

10.1 Quality Test

Before delivering, the supplier should conduct the following tests to confirm the quality of products.

- Electrical-Optical Characteristics: According to the individual specification to test the product.
- Appearance Characteristics: According to the individual specification to test the product.
- Reliability Characteristics: According to the definition of reliability on the specification for testing products.

10.2 Delivery Test

Before delivering, the supplier should conduct the delivery test.

- Test method: According to MIL-STD105E. General Inspection Level II take a single Time.
- The defects classify of AQL as following:
Major defect: AQL = 0.65
Minor defect: AQL = 1.5
Total defects: AQL = 1.5

10.3 Non-conforming Analysis & Deal With Manners

10.3.1 Non-conforming Analysis

- Purchaser should provide the data detail of non-conforming sample and the non-conforming.
- After receiving the data detail from purchaser, the analysis of non-conforming should be finished within two weeks.
- If the analysis can't be finished on time, supplier must notice purchaser 3 days in advance.

10.3.2 Disposition of non-conforming

- If any product defect be found during assembling, supplier must change the good for every defect after confirmation.
- Both supplier and customer should analyze the reason and discuss the disposition of non-conforming when the reason of nonconforming is not sure.

10.4 Agreement items

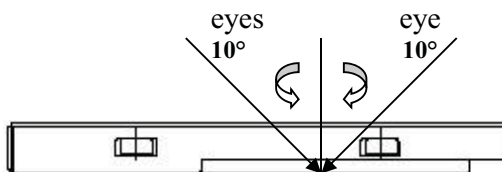
Both parties should negotiate together when the following problems happen.

- There is any problem of standard of quality assurance, and both sides should agree that it must be modified.
- There is any argument item which does not record in the standard of quality assurance.
- Any other special problem.

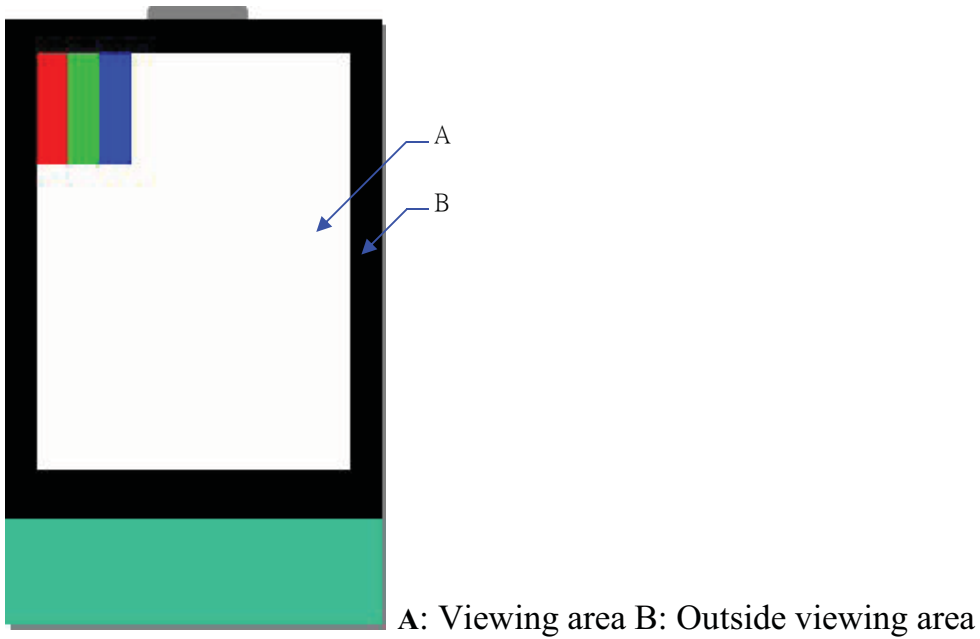
10.5 Standard of The Product Appearance Test

10.5.1 Manner of appearance test

- The test must be under 20W × 2 or 40W fluorescent light, and the distance of view must be at 30±5cm.
- When test the model of transmissive product must add the reflective plate.
- The test direction is base on around 10° of vertical line.
- Temperature: 25±5°C Humidity: 60±10%RH



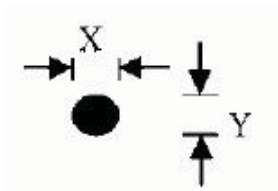
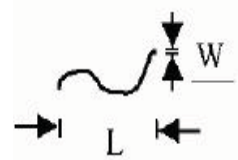
-
- Definition of area:

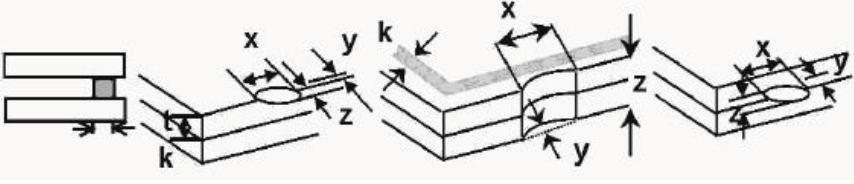
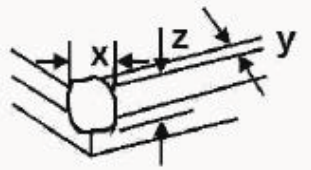


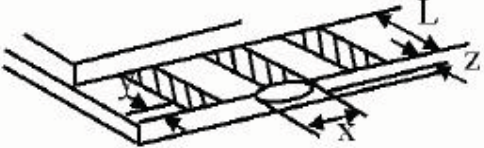
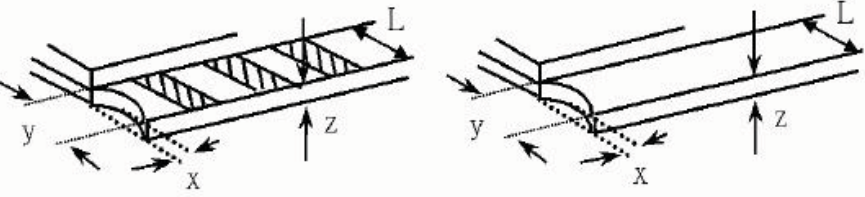
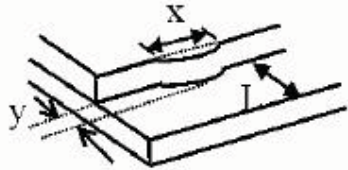
10.5.2 Basic principle

- When the standard can not be described, AQL will be applied.
- The sample of the lowest acceptable quality level must be negotiated by both supplier and customer when any dispute happened.
- New item must be added on time when it is necessary.

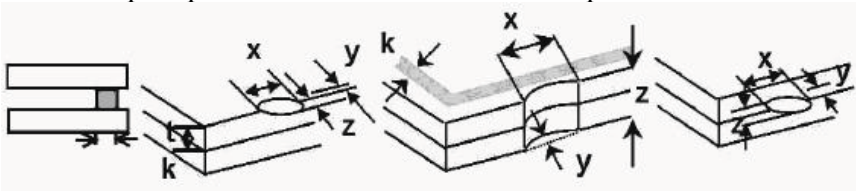
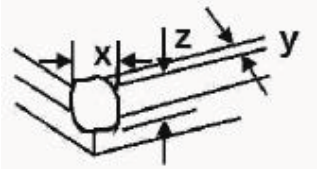
10.6 Inspection Specification

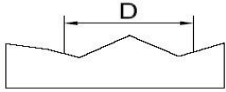
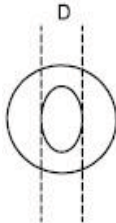
NO.	Item	Criterion	AQL												
01	Electrical Testing	1.1 Missing vertical, horizontal segment, segment contrast defect. 1.2 Missing character, dot or icon. 1.3 Display malfunction. 1.4 No function or no display. 1.5 Current consumption exceeds product specifications. 1.6 LCD viewing angle defect. 1.7 Mixed product types. 1.8 Flicker	0.65												
02	Black or White spots or Bright spots or Color spots on LCD (Display only)	2.1 White and black or color spots on display < 0.25mm, no more than one spots. 2.2 Densely spaced: No more than three spots within 3mm.	1.5												
03	LCD and Touch Panel black spots, white spots, contamination (non – display)	3.1 Round type: As following drawing $\Phi = (X+Y) / 2$  <table border="1" data-bbox="836 976 1331 1207"> <thead> <tr> <th>Size(mm)</th> <th>Acceptable Q'ty</th> </tr> </thead> <tbody> <tr> <td>$\Phi \leq 0.10$</td> <td>Accept no dense</td> </tr> <tr> <td>$0.10 < \Phi \leq 0.20$</td> <td>1</td> </tr> <tr> <td>$0.20 < \Phi \leq 0.25$</td> <td>1</td> </tr> <tr> <td>$0.25 < \Phi \leq 0.30$</td> <td>1</td> </tr> <tr> <td>$0.30 < \Phi$</td> <td>0</td> </tr> </tbody> </table> <p>* Densely spaced: No more than two spots within 3mm.</p>	Size(mm)	Acceptable Q'ty	$\Phi \leq 0.10$	Accept no dense	$0.10 < \Phi \leq 0.20$	1	$0.20 < \Phi \leq 0.25$	1	$0.25 < \Phi \leq 0.30$	1	$0.30 < \Phi$	0	1.5
		Size(mm)	Acceptable Q'ty												
$\Phi \leq 0.10$	Accept no dense														
$0.10 < \Phi \leq 0.20$	1														
$0.20 < \Phi \leq 0.25$	1														
$0.25 < \Phi \leq 0.30$	1														
$0.30 < \Phi$	0														
3.2 Line type: (As following drawing)  <table border="1" data-bbox="747 1354 1331 1564"> <thead> <tr> <th>Length(mm)</th> <th>Width(mm)</th> <th>Acceptable Q'ty</th> </tr> </thead> <tbody> <tr> <td>---</td> <td>$W \leq 0.02$</td> <td>Accept no dense</td> </tr> <tr> <td>$L < 2.5$</td> <td>$W < 0.08$</td> <td>1</td> </tr> <tr> <td>---</td> <td>$0.08 \leq W$</td> <td>Rejection</td> </tr> </tbody> </table> <p>* Densely spaced: No more than two lines within 3mm.</p>	Length(mm)	Width(mm)	Acceptable Q'ty	---	$W \leq 0.02$	Accept no dense	$L < 2.5$	$W < 0.08$	1	---	$0.08 \leq W$	Rejection	1.5		
Length(mm)	Width(mm)	Acceptable Q'ty													
---	$W \leq 0.02$	Accept no dense													
$L < 2.5$	$W < 0.08$	1													
---	$0.08 \leq W$	Rejection													

NO.	Item	Criterion		AQL	
04	Polarizer bubbles	If bubbles are visible, judge using black spot specifications, not easy to find, must check in specify direction	Size Φ (mm)	Acceptable Q'ty	1.5
			$\Phi \leq 0.30$	Accept no dense	
			$0.30 < \Phi \leq 0.50$	0	
			$0.50 < \Phi \leq 1.00$	0	
			Total Q'ty	0	
05	Scratches	Follow NO.3 -2 Line Type.			
06	Chipped glass	Symbols: x: Chip length y: Chip width z: Chip thickness k: Seal width t: Glass thickness a: LCD side length L: Electrode pad length 6.1 General glass chip: 6.1.1 Chip on panel surface and crack between panels:		1.5	
					
		z: Chip thickness	y: Chip width		x: Chip length
		$Z \leq 1/2t$	Not over viewing area		$x \leq 1/8a$
		$1/2t < z \leq 2t$	Not exceed 1/3k		$x \leq 1/8a$
⊙ Unit: mm ⊙ If there are 2 or more chips, x is the total length of each chip 6.1.2 Corner crack:					
					
z: Chip thickness	y: Chip width		x: Chip length		
$Z \leq 1/2t$	Not over viewing area		$x \leq 1/8a$		
$1/2t < z \leq 2t$	Not exceed 1/3k		$x \leq 1/8a$		
⊙ Unit: mm ⊙ If there are 2 or more chips, x is the total length of each chip					

NO.	Item	Criterion	AQL																
07	Glass crack	<p>Symbols: x: Chip length y: Chip width z: Chip thickness k: Seal width t: Glass thickness a: LCD side length L: Electrode pad length</p> <p>7.2 Protrusion over terminal: 7.2.1 Chip on electrode pad:</p>  <table border="1" data-bbox="591 716 1219 856"> <tr> <td>y: Chip width</td> <td>x: Chip length</td> <td>z: Chip thickness</td> </tr> <tr> <td>$y \leq 0.5\text{mm}$</td> <td>$x \leq 1/8a$</td> <td>$0 < z \leq t$</td> </tr> </table> <p>7.2.2 Non-conductive portion:</p>  <table border="1" data-bbox="591 1201 1219 1341"> <tr> <td>y: Chip width</td> <td>x: Chip length</td> <td>z: Chip thickness</td> </tr> <tr> <td>$y \leq L$</td> <td>$x \leq 1/8a$</td> <td>$0 < z \leq t$</td> </tr> </table> <p>⊙ If there chipped area touches the ITO terminal, over 2/3 of the ITO must remain and be inspected according to electrode terminal specifications. ⊙ If the product will be heat sealed by the customer, the alignment mark must not be damaged.</p> <p>7.2.3 Substrate protuberance and internal crack</p>  <table border="1" data-bbox="896 1644 1302 1780"> <tr> <td>y: width</td> <td>x: length</td> </tr> <tr> <td>$y \leq 1/3L$</td> <td>$X \leq a$</td> </tr> </table>	y: Chip width	x: Chip length	z: Chip thickness	$y \leq 0.5\text{mm}$	$x \leq 1/8a$	$0 < z \leq t$	y: Chip width	x: Chip length	z: Chip thickness	$y \leq L$	$x \leq 1/8a$	$0 < z \leq t$	y: width	x: length	$y \leq 1/3L$	$X \leq a$	1.5
y: Chip width	x: Chip length	z: Chip thickness																	
$y \leq 0.5\text{mm}$	$x \leq 1/8a$	$0 < z \leq t$																	
y: Chip width	x: Chip length	z: Chip thickness																	
$y \leq L$	$x \leq 1/8a$	$0 < z \leq t$																	
y: width	x: length																		
$y \leq 1/3L$	$X \leq a$																		

NO.	Item	Criterion	AQL
08	Cracked glass	No crack is allowed.	1.5
09	Backlight elements	9.1 Illumination source flickers when lit. 9.2 Spots or scratches that appear when lit must be judged. Using LCD spot, lines and contamination standards. 9.3 Backlight doesn't light or color is wrong.	1.5 1.5 0.65
10	Bezel	No scratches with W>0.1 and Length>2.5mm.	1.5
11	PCB、COB	11.1 COB seal may not have pinholes larger than 0.2mm or contamination. 11.2 COB seal surface may not have pinholes through to the IC. 11.3 The height of the COB should not exceed the height indicated in the assembly diagram. 11.4 There may not be more than 2mm of sealant outside the seal area on PCB. And there should be no more than three places. 11.5 Parts on PCB must be the same as on the production characteristic chart, There should be no wrong parts, missing parts or excess parts. 11.6 The jumper on the PCB should conform to the product characteristic chart.	1.5 1.5 1.5 1.5 0.65 0.65
12	FPC	FPC damage per IPC guidelines.(IPC-A-610) Nicks or damage along the edges of the flexible printed circuitry and cutouts,providing the penetration does not exceed 50% of the distance from the edge to the nearest conductor to 2.5mm[0.1in], Whichever is less.	1.5
13	Soldering	13.1 No cold solder joints, missing solder connections, oxidation or icicle. 13.2 No short circuits in components on PCB or FPC. 13.3 Soldering per IPC guidelines.(IPC-A-610)	1.5 0.65

NO.	Item	Criterion	AQL												
14	Touch Panel Chipped glass	<p>Symbols: x: Chip length y: Chip width z: Chip thickness k: Seal width t: Touch Panel Total thickness a: LCD side length L: Electrode pad length</p> <p>14.1 General glass chip: 14.1.1 Chip on panel surface and crack between panels:</p>  <table border="1" data-bbox="488 716 1252 919"> <tr> <td>z: Chip thickness</td> <td>y: Chip width</td> <td>x: Chip length</td> </tr> <tr> <td>$Z \leq t$</td> <td>$\leq 1/2 k$ and not over viewing area</td> <td>$x \leq 1/8a$</td> </tr> </table> <p>⊙ Unit: mm ⊙ If there are 2 or more chips, x is the total length of each chip</p> <p>14.1.2 Corner crack:</p>  <table border="1" data-bbox="488 1272 1252 1476"> <tr> <td>z: Chip thickness</td> <td>y: Chip width</td> <td>x: Chip length</td> </tr> <tr> <td>$z \leq t$</td> <td>$\leq 1/2 k$ and not over viewing area</td> <td>$x \leq 1/8a$</td> </tr> </table> <p>⊙ Unit: mm ⊙ If there are 2 or more chips, x is the total length of each chip</p>	z: Chip thickness	y: Chip width	x: Chip length	$Z \leq t$	$\leq 1/2 k$ and not over viewing area	$x \leq 1/8a$	z: Chip thickness	y: Chip width	x: Chip length	$z \leq t$	$\leq 1/2 k$ and not over viewing area	$x \leq 1/8a$	1.5
z: Chip thickness	y: Chip width	x: Chip length													
$Z \leq t$	$\leq 1/2 k$ and not over viewing area	$x \leq 1/8a$													
z: Chip thickness	y: Chip width	x: Chip length													
$z \leq t$	$\leq 1/2 k$ and not over viewing area	$x \leq 1/8a$													

NO.	Item	Criterion	AQL										
15	Touch Panel(Fish eye、dent and bubble on film)	<table border="1" data-bbox="488 281 985 474"> <thead> <tr> <th>SIZE(mm)</th> <th>Acceptable Q'ty</th> </tr> </thead> <tbody> <tr> <td>$\Phi \leq 0.2$</td> <td>Accept no dense</td> </tr> <tr> <td>$0.2 < D \leq 0.4$</td> <td>5</td> </tr> <tr> <td>$0.4 < D \leq 0.5$</td> <td>2</td> </tr> <tr> <td>$0.5 < D$</td> <td>0</td> </tr> </tbody> </table>  	SIZE(mm)	Acceptable Q'ty	$\Phi \leq 0.2$	Accept no dense	$0.2 < D \leq 0.4$	5	$0.4 < D \leq 0.5$	2	$0.5 < D$	0	1.5
SIZE(mm)	Acceptable Q'ty												
$\Phi \leq 0.2$	Accept no dense												
$0.2 < D \leq 0.4$	5												
$0.4 < D \leq 0.5$	2												
$0.5 < D$	0												
16	Touch Panel Newton ring	Newton ring dimension $\leq 1/2$ touch panel area and not affect font and line distortion($\leq 2.5\%$) , it is acceptable.	1.5										
17	Touch Panel Linearity	Less than 2.5% is acceptable.	1.5										
18	LCD Ripple	Touch the touch panel , can not see the LCD ripple. Pen: R 1.0mm silicon rubber. Operation Force: 80g	1.5										
19	General appearance	19.1 Pin type must match type in specification sheet. 19.2 LCD pin loose or missing pins. 19.3 Product packaging must the same as specified on packaging specification sheet. 19.4 Product dimension and structure must conform to product specification sheet. 19.5 Product packaging shall be by trays sized to protect TFT and FPC cable. 19.6 Cable shall not be bent during transportation. 19.7 Top tray must be empty.	0.65 0.65 0.65 0.65										

11. Handling Precaution

11.1 Handling of LCM

- Avoid external shock.
- Don't apply excessive force on the surface.
- Liquid in LCD is hazardous substance, do not lick or swallow. When the liquid is attaching to your hand, skin, cloth, etc., wash it thoroughly and immediately.
- Don't operate it above the absolute maximum rating.
- Don't disassemble the LCM.
- The operators should wear protections whenever he/she comes into contact with the module. Never touch any of the conductive parts such as the LSI pads, the copper leads on the PCB and the interface terminals with any parts of the human body.
- The modules should be kept in antistatic bags or other containers resistant to static for storage.
- The module is coated with a film to protect the display surface, be careful when peeling off this protective film since static electricity may be generated.

11.2 Storage

- Store it in an ambient temperature of $25\pm 10^{\circ}\text{C}$, and in a relative humidity of $50\pm 10\%\text{RH}$. Don't expose to sunlight or fluorescent light.
- Store it in a clean environment, free from dust, active gas, and solvent.
- Store it in anti-static electricity container.
- Store it without any physical load.

11.3 Soldering

- Use only soldering irons with proper grounding and no leakage.
- Iron: no higher than $280\pm 10^{\circ}\text{C}$ and less than 3 sec during hand soldering.
- Rewiring: no more than 2 times.

12.Packing Method