



# PHOENIX DISPLAY INTERNATIONAL, INC.

---

## PHOENIX DISPLAY INTERNATIONAL, INC

### SPECIFICATION FOR LCD MODULE

<b>CUSTOMER</b>	
<b>PART NUMBER</b>	PDI043WQBS-36C
<b>DESCRIPTION</b>	4.3" 480 X 272 TFT
<b>VERSION</b>	V1.2
<b>ISSUE DATE</b>	06-Nov-18

**COMPANY ADDRESS:**

Phoenix Display International, Inc.  
6150 W. Gila Springs Place Unit 2  
Chandler, AZ 85226  
USA  
[www.phoenixdisplay.com](http://www.phoenixdisplay.com)  
(630) 359-5700 office  
(630) 359-5701 fax

---

## CONTENTS

<b>1 GENERAL CHARACTERISTICS.....</b>	<b>- 3 -</b>
<b>2 PRODUCT DRAWINGS.....</b>	<b>- 4 -</b>
<b>3 INTERFACE DESCRIPTION.....</b>	<b>- 5 -</b>
3.1 LCM INTERFACE DESCRIPTION.....	- 5 -
3.2 CTP INTERFACE DESCRIPTION.....	- 6 -
<b>4 RGB TIMING CHARACTERISTICS.....</b>	<b>- 7 -</b>
<b>5 ABSOLUTE MAXIMUM RATINGS.....</b>	<b>- 8 -</b>
<b>6 ELECTRICAL CHARACTERISTICS.....</b>	<b>- 8 -</b>
<b>7 BACKLIGHT CHARACTERISTICS.....</b>	<b>- 8 -</b>
<b>8 LCD OPTICAL SPECIFICATIONS.....</b>	<b>- 9 -</b>
<b>9 CAPACITIVE TOUCH PANEL SPECIFICATIONS.....</b>	<b>- 11 -</b>
9.1 MECHANICAL CHARACTERISTICS.....	- 11 -
9.2 ELECTRICAL CHARACTERISTICS.....	- 11 -
9.3 INTERFACE TIMING CHARACTERISTICS.....	- 11 -
<b>10 RELIABILITY TEST.....</b>	<b>- 12 -</b>
<b>11 SUGGESTIONS FOR USING LCD MODULES.....</b>	<b>- 12 -</b>
11.1 HANDLING OF LCM.....	- 12 -
11.2 STORAGE.....	- 13 -

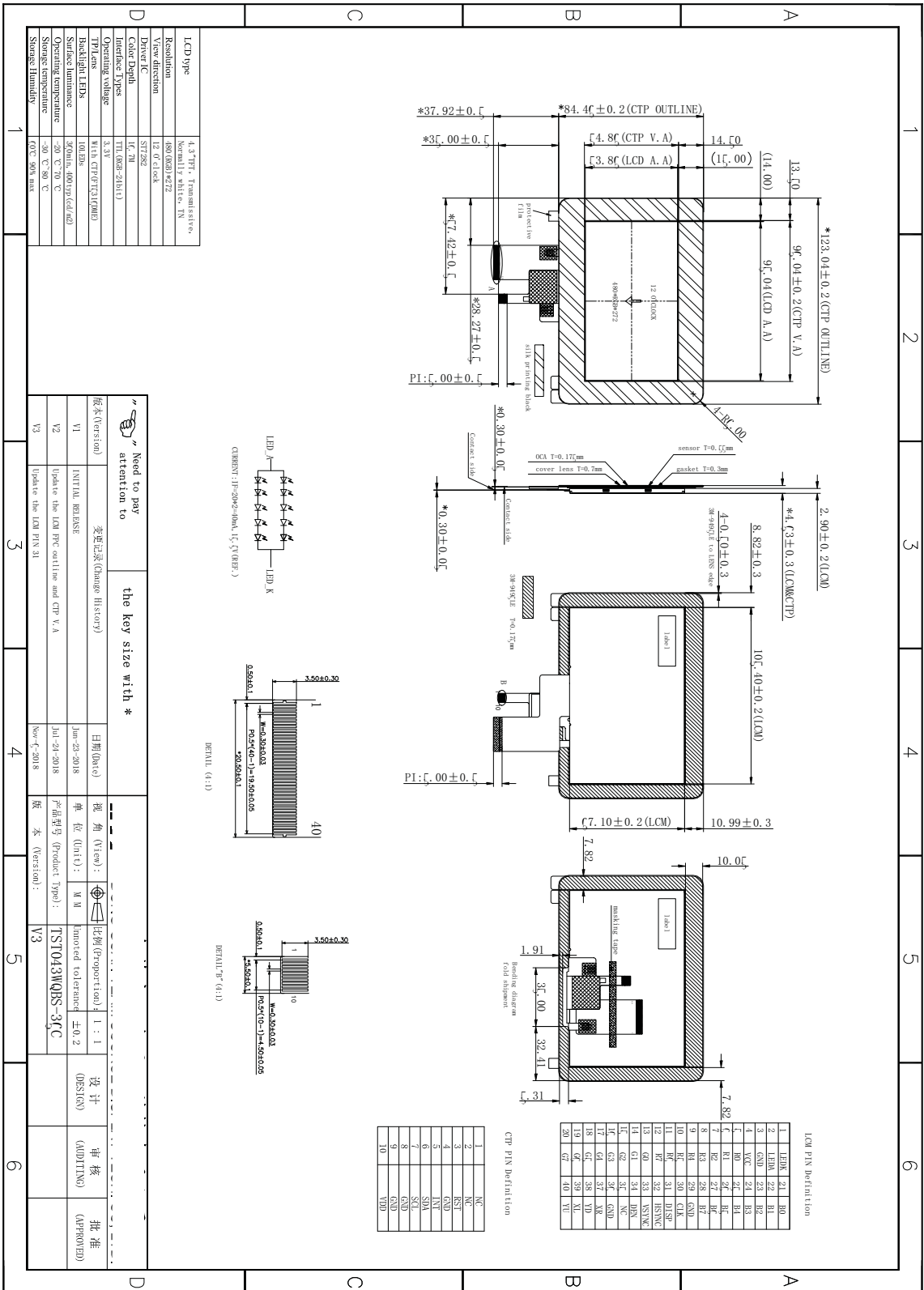
# 1 General Characteristics

ITEM	Specification	Unit
LCD Type	a-Si TFT, Transmissive, Normally white, TN	-
LCD Size	4.3	inch
Resolution (W x H)	480(RGB) × 272	pixel
CTP+LCM size	123.04(H) x 84.46(V) x 4.63(T)	mm
LCM size	105.4(H) x 67.1(V) x 2.9(T)	mm
Active Area	95.04 (H) x 53.86 V)	mm
Dot Pitch	0.198(H)x0.198(V)	mm
Viewing Direction	12 o'clock	-
Gray Scale Inversion Direction	6 o'clock	-
Color Depth	16.7M	-
Pixel Arrangement	RGB-stripe	-
Backlight Type	10 LED, 40mA	-
Surface Luminance	Min 360, Typ 400	cd/m2
Surface Treatment	Hardness: 6H	-
Interface Type	TTL(RGB-24bit)	-
Input Voltage	3.3	V
With/Without TP	With CTP(FT5316DME)	-
Weight	TBD	g

**Note 1: RoHS compliant**

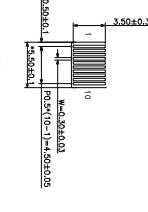
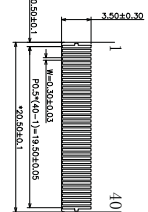
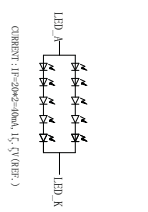
**Note 2: LCM weight tolerance: ± 5%.**

# 2 Product drawings



LCD type	4.3 TFT, Transmissive, Normally white, TN
Resolution	800 (800) x 472
View direction	12 ° of clock
Driver IC	SIT282
Color Depth	16-bit
Interface Types	TTL (080-20B(1))
Operating Voltage	3.3V
TPLens	W1A (CTP/CTI/QMD)
Backlight LEDs	104 LEDs
Surface Lumiance	300lm, 4000cd/m <sup>2</sup>
Operating temperature	-20 °C ~ 70 °C
Storage temperature	-20 °C ~ 80 °C
Storage Humidity	10% ~ 90% RH max

<b>Need to pay attention to</b>	<b>the key size with *</b>	
	变更日期(Change history) V1 INITIAL RELEASE V2 Update the LCM PFC outline and CTP V.A V3 Update the LCM PIN 21	视角(View): M M 比例(Proportion): 1 : 1 设计(DESIGN) 审核(AUDITING) 批准(APPROVED)
	日期(Date): Jun-23-2018 单位(Unit): M M 产品型号(Product Type): TST043MQBS-37C 版本(Version): V3 版本(Version): V3	单位(Unit): M M 产品型号(Product Type): TST043MQBS-37C 版本(Version): V3



### 3 Interface description

#### 3.1 LCM interface description

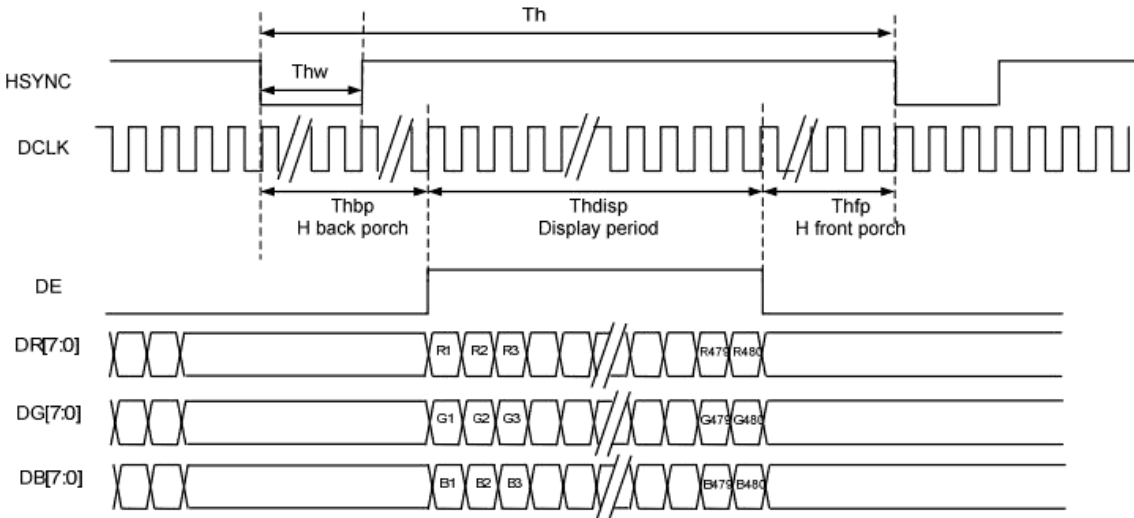
PIN NO.	Symbol	description
1	LEDK	Backlight K Cathode input pin.
2	LEDA	Backlight A Anode input pin.
3	GND	System Ground. (0V)
4	VCC	Power supply +3.3V
5~12	R0~R7	Red Data BUS
13~20	G0~G7	Green Data BUS
21~28	B0~B7	Blue Data BUS
29	GND	System Ground. (0V)
30	CLK	Clock for input data. Data latched at rising/falling edge of this signal. Default is falling edge.
31	DISP	Standby mode control. (Normally pull high) DISP="L", enter standby mode for power saving. Timing controller and source driver will turn off, all outputs are Hi-Z. DISP="H", normal operation.
32	HSYNC	Horizontal sync input in digital parallel RGB. Negative polarity.
33	VSYNC	Vertical sync input in digital parallel RGB. Negative polarity.
34	DEN	Input data enable control. When DE mode, active High to enable data input. (Normally pull low)
35	NC	Not connect
36	GND	System Ground. (0V)
37	XR/X+	Not connect
38	YD/Y-	Not connect
39	XL/X-	Not connect
40	YU/Y+	Not connect

### 3.2 CTP interface description

PIN NO.	Symbol	description
1	NC	NO connect
2	NC	NO connect
3	RST	External Reset, Low is active
4	GND	Ground. (0V)
5	INT	Interrupt request to the host
6	SDA	I2C data input and output
7	SCL	I2C clock input
8	GND	Ground. (0V)
9	GND	Ground. (0V)
10	VDD	Power supply +3.3V

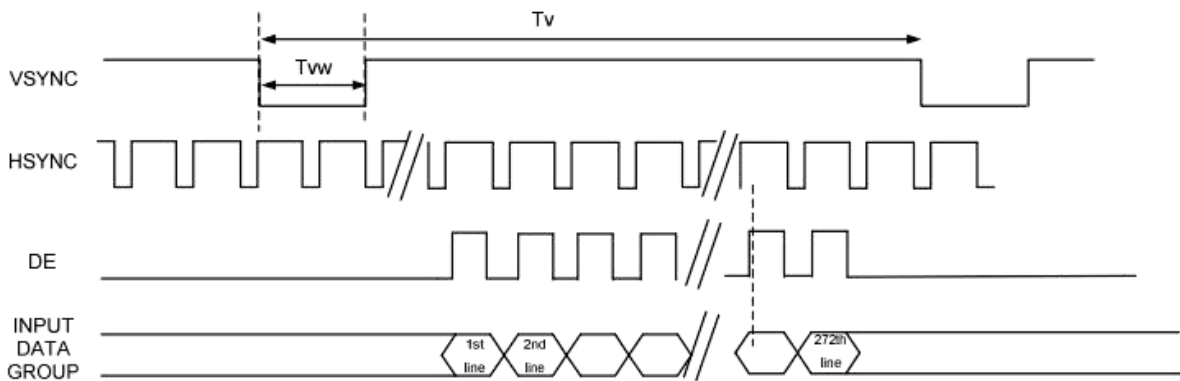
## 4 RGB Timing Characteristics

DE Mode Timing Diagram



Horizontal Input Timing

Parameter	Symbol	min	Typ.	max	Unit
Horizontal display area	tHD	-	480	-	CLKIN
CLKIN frequency	$f_{clk}$	8	9	12	MHz
1 Horizontal line period	$T_h$	485	531	-	CLKIN
HSD pulse width	$T_{hw}$	2	4	-	
HSD back porch	$T_{hbp}$	3	43	-	
HSD front porch	$T_{hfp}$	2	8	-	



Vertical Input Timing

Parameter	Symbol	min	Typ.	max	Unit
Vertical display area	$t_{VD}$	-	272	-	HSD
VSD period time	$t_v$	276	292	-	
VSD pulse width	$T_{VPW}$	2	4	-	
VSD back porch	$t_{VBP}$	2	12	-	
VSD front porch	$t_{VFP}$	2	8	-	

## 5 Absolute Maximum Ratings

PARAMETER	SYMBOL	MIN	MAX	UNIT
Supply Voltage (Analog)	VDD~GND	-0.3	4.6	V
Logic signal voltage(I/O)	IOVDD~GND	-0.3	4.6	V
Operating Temperature	TOP	-20	70	° C
Storage Temperature	TST	-30	80	° C
Humidity	RH	-	90%(Max 60° C)	RH

## 6 Electrical Characteristics

PARAMETER	SYMBOL	MIN	TYP	MAX	UNIT
Analog operating voltage	VDD	3.0	3.3	3.6	V
Logic operating voltage	VDDI	1.65	-	VDD	
Input Voltage ' H ' level	VIH	0.7VDDI	-	VDDI	
Input Voltage ' L ' level	VIL	GND	-	0.3VDDI	
Output Voltage ' H ' level	VOH	VDDI-0.4	-	VDDI	
Output Voltage ' L ' level	VOL	GND	-	GND+0.4	

## 7 Backlight Characteristics

ITEM	SYMBOL	MIN	TYP	MAX	UNIT
Voltage for LED backlight	V <sub>f</sub>	-	15.5	-	V
Current for LED backlight	I <sub>f</sub>	-	40	-	mA
Power consumption	W <sub>bl</sub>	-	620	-	mW
Uniformity	Avg	80	-	-	%
LED Life Time	-	30000	40000	-	Hrs

Note:

- 1.The LED life time is defined as the module brightness decrease to 50% original brightness at Ta=25°C, 60%RH ±5 %.
2. The life time of LED will be reduced if LED is driven by high current, high ambient temperature and humidity conditions.
3. Typical operating life time is an estimated data.
4. Permanent damage to the device may occur if maximum values are exceeded or reverse voltage is loaded .Functional operation should be restricted to the conditions described under normal operating conditions.



## 8 LCD Optical specifications

Item	Symbol	Condition	Specification			Unit	Remark
			Min	Typ	Max		
Response time (By Quick)	Tr+Tf	$\theta = 0^\circ$	-	20	30	ms	Note 5
Contrast ratio	CR	$\theta = 0^\circ$	500	600	-		Note 2,6
Viewing angle	Top	$CR \geq 10$	60	70	-	Deg.	Note 2,6,7
	Bottom	$CR \geq 10$	50	60	-		
	Left	$CR \geq 10$	70	80	-		
	Right	$CR \geq 10$	70	80	-		
Color Filter Chromaticity with C light	Wx	$\theta = 0^\circ$	Typ -0.03	0.301	Typ +0.03		Note 3
	Wy			0.337			
	Rx			0.505			
	Ry			0.324			
	Gx			0.303			
	Gy			0.552			
	Bx			0.144			
	By			0.172			
NTSC			-	50	%		Note 3
Transmittance	Trans		-	6.85	%		Note 4

Note 1: Ambient temperature = 25°C.

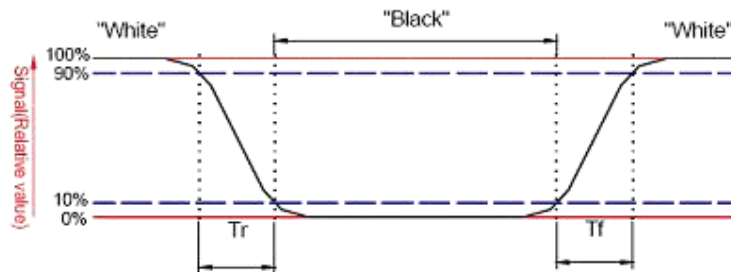
Note 2: To be measured with a viewing cone of 2° by Topcon luminance meter BM-5A.

Note 3: To be measured with Otsuta chromaticity meter LCF-2100M, CF only measure under C light simulation.

Note 4: BOE shipping status is cell without polarizer. Transmittance of Specification is cell with polarizer. The tolerance of Transmittance is  $\pm 10\%$ .

Note 5: Definition of response time:

The output signals of TRD-100 are measured when the input signals are changed to "White" (falling time) and from "White" to "Black" (rising time), respectively. The interval is between the 10% and 90% of amplitudes. Refer to figure as below.

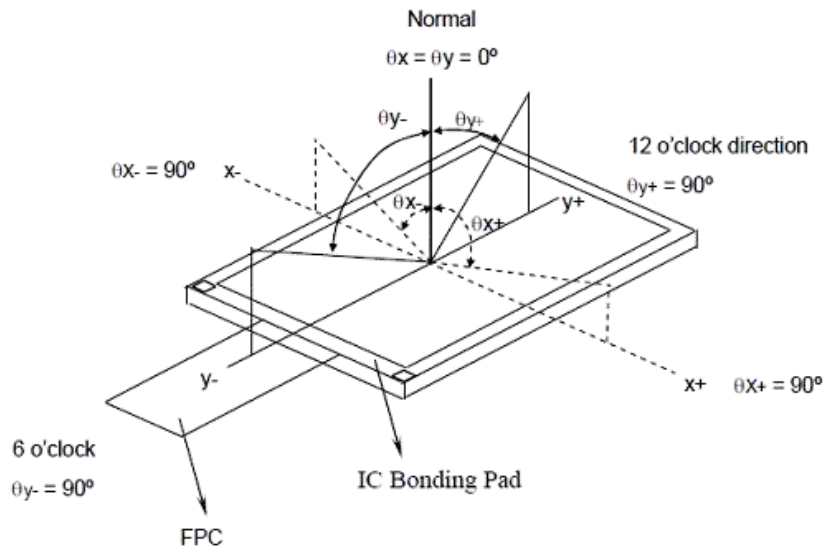


Note 6: Definition of contrast ratio:

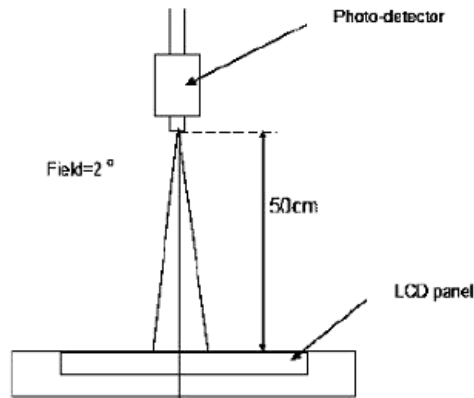
Contrast ratio is calculated by the following formula.

$$\text{Contrast ratio (CR)} = \frac{\text{Brightness on the "white" state}}{\text{Brightness on the "black" state}}$$

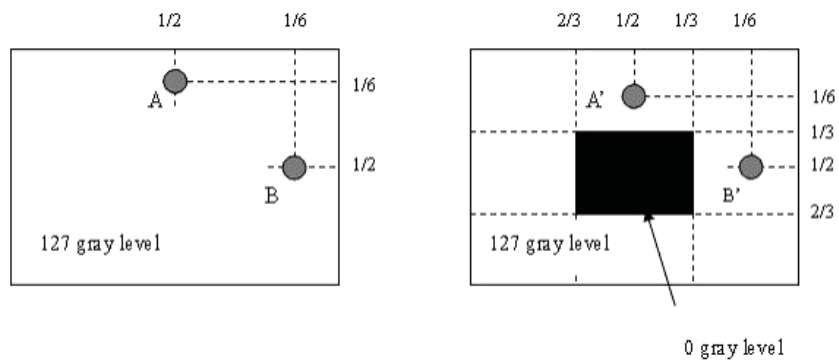
Note 7: Definition of viewing angle



Note 8: Optical characteristic measurement setup.



Note 9:



1  $LA - LA' / LA \times 100\% = 2\% \text{ max.}$ , LA and LA' are brightness at location A and A'.

1  $LB - LB' / LB \times 100\% = 2\% \text{ max.}$ , LB and LB' are brightness at location B and B'.

## 9 Capacitive Touch Panel specifications

### 9.1 Mechanical characteristics

DESCRIPTION	INL SPECIFICATION	REMARK
Touch Panel Size	4.3	
Outline Dimension (OD)	123.04(H) x 84.46(V) mm	Cover Lens Outline
Product Thickness	1.73mm	With FPC and frame D.S.T
Glass Thickness	0.7mm	
View Area	96.64x55.46mm	
Input Method	5 Fingers	
Activation Force	Touch	
Surface Hardness	≥6H	

### 9.2 Electrical characteristics

DESCRIPTION		SPECIFICATION
Operating Voltage		DC 2.8~3.3V
Power Consumption (IDD)	Active Mode	2.8-3.3mA
	Sleep Mode	50-100uA
Interface		I <sup>2</sup> C
Controller IC		FT5316DME
I <sup>2</sup> C address		0x70
Resolution		480*272

### 9.3 Interface timing characteristics

PARAMETER	MIN	MAX	UNIT
SCL Frequency	-	400K	Hz
Bus Free Time Between a STOP and START Condition	4.7	-	uS
Hold Time (repeated) START Condition	4.0	-	uS
Data Setup Time	250	-	nS
Setup Time for Repeated START Condition	4.7	-	uS
Setup Time for STOP Condition	4.0	-	uS

## 10 RELIABILITY TEST

NO.	TEST ITEM	TEST CONDITION	INSPECTION AFTER TEST
1	High Temperature Storage	80±2°C/96 hours	Inspection after 2~4 hours storage at room temperature and humidity. The condensation is not accepted. The sample shall be free from defects:  1. Air bubble in the LCD 2. Seal leak 3. Non-display 4. Missing segments 5. Glass crack
2	Low Temperature Storage	-30±2°C/96 hours	
3	High Temperature Operating	70±2°C/96 hours	
4	Low Temperature Operating	-20±2°C/96 hours	
5	Temperature Cycle	-30±2°C ~ 25~ 80± 2°C × 10 cycles (30 min.) (5min.) (30min.)	
6	Damp Proof Test	60°C ±5°C × 90%RH/96 hours	
7	Vibration Test	Frequency 10Hz~55Hz Stroke: 1.5mm Sweep: 10Hz~150 Hz~10Hz 2 hours For each direction of X, Y, Z	
8	Shock Test	Half-sine, wave, 300m/s	
9	Packing Drop Test	Height: 80 cm 1 corner, concrete floor	
10	Electrostatic Discharge Test	C=150pF, R=330 Ω Air: ±8KV 150pF/330Ω 30 times Contact: ±4KV,20 times	

## 11 Suggestions for using LCD modules

### 11.1 Handling of LCM

1. The LCD screen is made of glass. Don't give excessive external shock, or drop from a high place.
  2. If the LCD screen is damaged and the liquid crystal leaks out, do not lick and swallow. When the liquid is attach to your hand, skin, cloth etc, wash it off by using soap and water thoroughly and immediately.
  3. Don't apply excessive force on the surface of the LCM.
  4. If the surface is contaminated, clean it with soft cloth. If the LCM is severely contaminated, use Isopropyl alcohol/Ethyl alcohol to clean. Other solvents may damage the polarizer. The following solvents is especially prohibited: water , ketone Aromatic solvents etc.
  5. Exercise care to minimize corrosion of the electrode. Corrosion of the electrodes is accelerated by water droplets, moisture condensation or a current flow in a high-humidity environment.
  6. Install the LCD Module by using the mounting holes. When mounting the LCD module make sure it is free of twisting, warping and distortion. In particular, do not forcibly pull or bend the I/O cable or the backlight cable.
  7. Don't disassemble the LCM.
  8. To prevent destruction of the elements by static electricity, be careful to maintain an optimum work environment.
- Be sure to ground the body when handling the LCD modules.

- Tools required for assembling, such as soldering irons, must be properly grounded.
  - To reduce the amount of static electricity generated, do not conduct assembling and other work under dry conditions.
  - The LCD module is coated with a film to protect the display surface. Exercise care when peeling off this protective film since static electricity may be generated.
9. Do not alter, modify or change the the shape of the tab on the metal frame.
  10. Do not make extra holes on the printed circuit board, modify its shape or change the positions of components to be attached.
  11. Do not damage or modify the pattern writing on the printed circuit board.
  12. Absolutely do not modify the zebra rubber strip (conductive rubber) or heat seal connector
  13. Except for soldering the interface, do not make any alterations or modifications with a soldering iron.
  14. Do not drop, bend or twist LCM.

## **11.2 Storage**

1. Store in an ambient temperature of 5 to 45 C, and in a relative humidity of 40% to 60%. Don't expose to sunlight or fluorescent light.
2. Storage in a clean environment, free from dust, active gas, and solvent.
3. Store in antistatic container.