

# TN/STN

Character  
Liquid Crystal Display

Phoenix Display International, Inc.

## PRODUCT PREVIEW

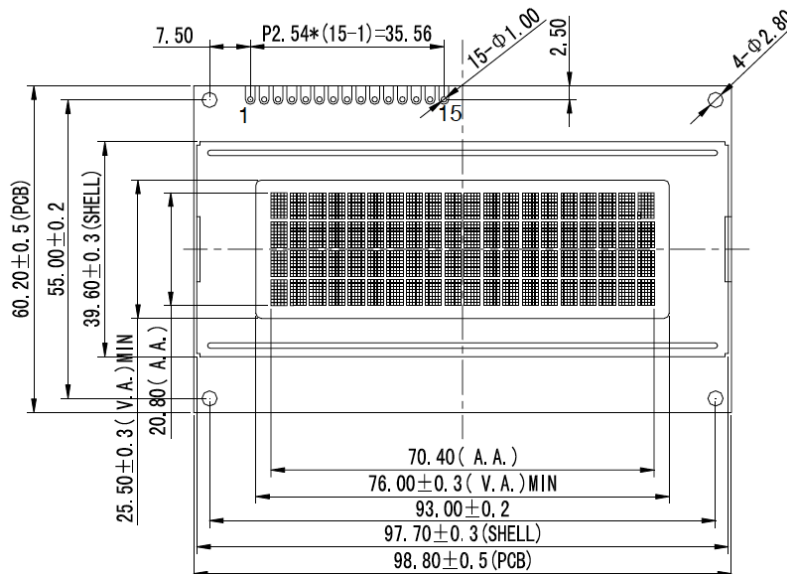
### 20 Character x 4 Line

## SPECIFICATIONS

### MODULE

Part Number	JYC-200402C
Format	20 Characters x 4 Line
Controller	IC1
Overall Dimensions	98.8mm x 60.2mm x 14.0mm
Active Area	70.4mm x 20.8mm
Character Size	2.95mm x 4.75mm
Pixel Size	550um x 550um
Backlight System	LED
Driver Attach	Chip on Board (COB)
Display Type	TN, STN, or FSTN

### 1.0 DIMENSIONAL DRAWING



# TN/STN

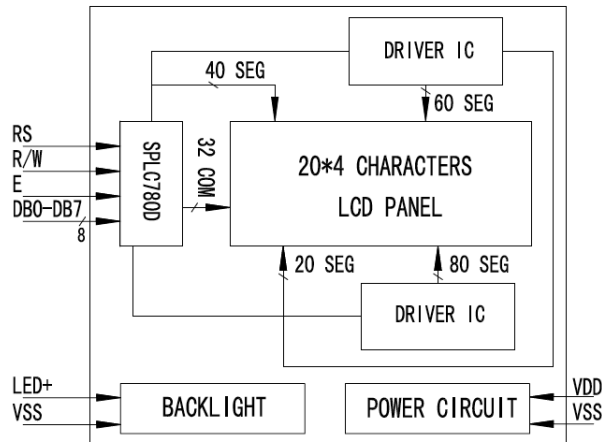
Character  
Liquid Crystal Display

Phoenix Display International, Inc.

## PRODUCT PREVIEW

### 20 Character x 4 Line

#### 2.0 BLOCK DIAGRAM



#### 5.0 PIN ASSIGNMENT

PIN No.	Symbol
1	VSS
2	VDD
3	V0
4	RS
5	R/W
6	E
7-14	DB0-DB7
15	LED+

