

# TN/STN

Character  
Liquid Crystal Display

***Phoenix Display International, Inc.***

## PRODUCT PREVIEW

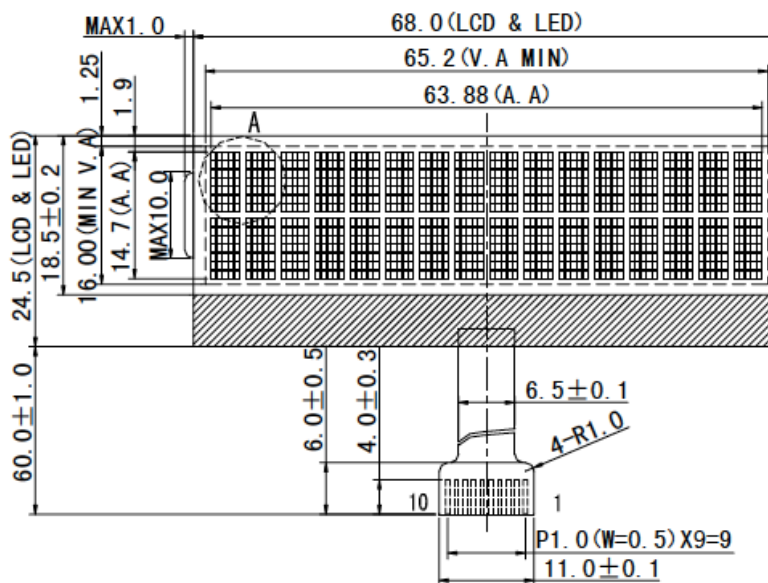
### 16 Character x 2 Line

## SPECIFICATIONS

### MODULE

|                    |                         |
|--------------------|-------------------------|
| Part Number        | JYC-160239G-2           |
| Format             | 16 Characters x 2 Line  |
| Controller         | ST7032                  |
| Overall Dimensions | 68.0mm x 24.5mm x 5.7mm |
| Active Area        | 63.88mm x 14.7mm        |
| Character Size     | 3.28mm x 7.0mm          |
| Pixel Size         | 600um x 940um           |
| Backlight System   | LED                     |
| Driver Attach      | Chip on Glass (COG)     |
| Display Type       | TN, STN, or FSTN        |

### 1.0 DIMENSIONAL DRAWING



# TN/STN

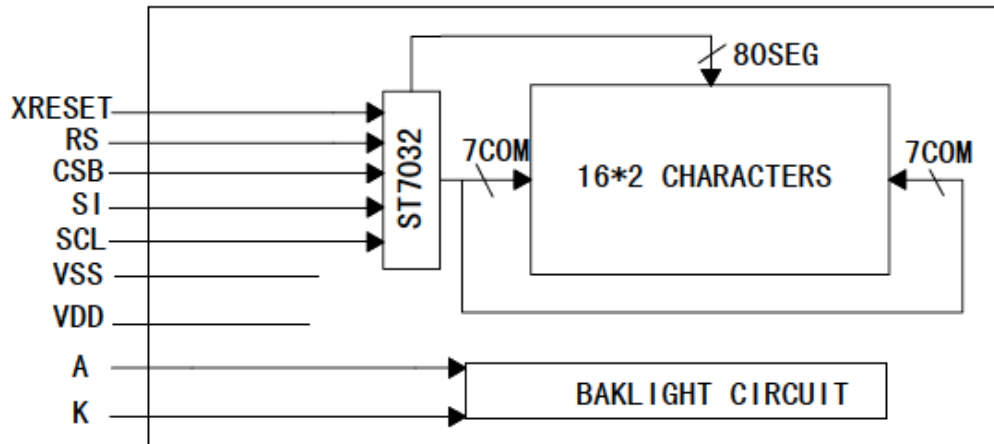
Character  
Liquid Crystal Display

Phoenix Display International, Inc.

## PRODUCT PREVIEW

### 16 Character x 2 Line

#### 2.0 BLOCK DIAGRAM



#### 5.0 PIN ASSIGNMENT

| PIN No. | Symbol |
|---------|--------|
| 1       | XRESET |
| 2       | RS     |
| 3       | CSB    |
| 4       | SCL    |
| 5       | SI     |
| 6       | VSS    |
| 7       | VDD    |
| 8       | VOUT   |
| 9       | CAP1P  |
| 10      | CAP1N  |

