

PRODUCT PREVIEW

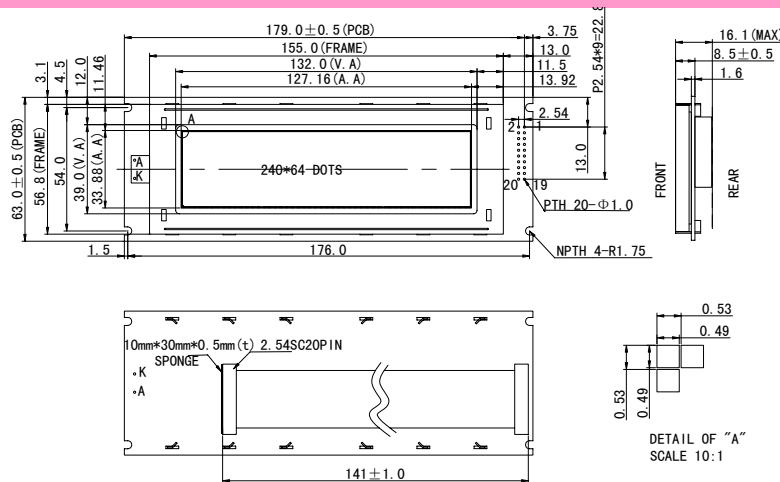
240 x 64 Monochrome

SPECIFICATIONS

MODULE

Part Number	G-2406409C-VA
Format	240 Columns by 64 Rows
Controller	N/A
Overall Dimensions	179.0mm x 63.0mm x 16.1mm
Active Area	127.16mm x 33.88mm
Pixel Pitch	530um x 530um
Pixel Size	490um x 490um
Backlight System	LED
Driver Attach	N/A
Display Type	R,TF,TM
Duty	N/A
Bias	N/A

1.0 DIMENSIONAL DRAWING



Note:

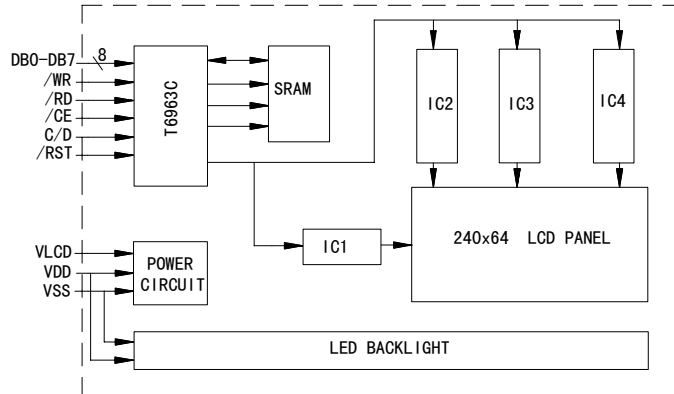
1. Display Type: FSTN, Positive, Transflective
2. Backlight: LED, Blue
3. Controller: T6963C; VDD: 5.0V
4. Operating Temperature: -20°C ~ +70°C
5. Storage Temperature: -30°C ~ +80°C
6. ROHS
7. Unmarked tolerance: ±0.3
8. Remark: Both display type and backlight color of the LCM can be customized per request.



PRODUCT PREVIEW

320 x 240 Monochrome

2.0 BLOCK DIAGRAM



5.0 PIN ASSIGNMENT

PIN No.	Symbol
1	FGND
2	VSS
3	VDD
4	VLCD
5	/WR
6	/RD
7	/CE
8	C/D
9	NC
10	/RST
11	DB0
12	DB1
13	DB2

14	DB3
15	DB4
16	FB5
17	DB6
18	DB7
19	FS
20	NC

