

PRODUCT PREVIEW

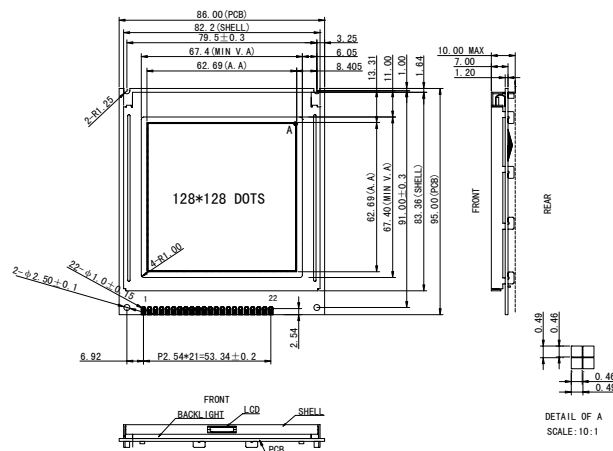
128x 128 Monochrome

SPECIFICATIONS

MODULE

Part Number	G-12812827C-VA
Format	128 Columns by 128 Rows
Controller	N/A
Overall Dimensions	86.0mm x 95.0mm x 10.0mm
Active Area	62.69mm x 62.69mm
Pixel Pitch	490um x 490um
Pixel Size	460um x 460um
Backlight System	LED
Driver Attach	N/A
Display Type	R,TF,TM
Duty	N/A
Bias	N/A

1.0 DIMENSIONAL DRAWING



Note:

1. Display Type: STN-GRAY, Positive, Transflective
2. Backlight: LED, Yellow-Green
3. Controller: RA8835; VDD:5.0V
4. Operating Temperature: -20°C ~ +70°C
5. Storage Temperature: -30°C ~ +80°C
6. ROHS
7. Unmarked tolerances: ±0.2mm

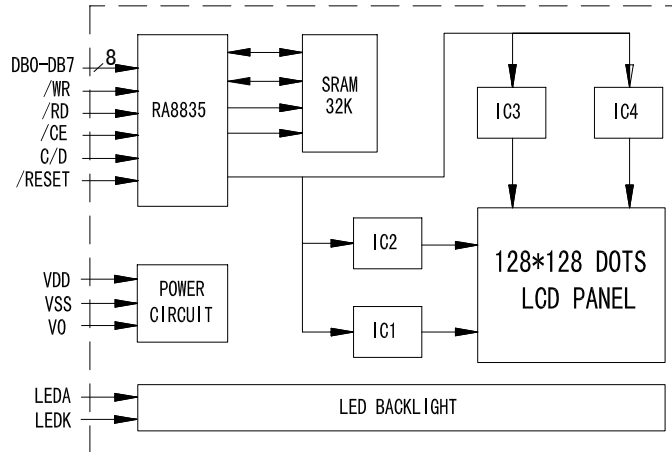
Remark: Both display type and backlight color of the LCM can be customized per request.



PRODUCT PREVIEW

128 x 128 Monochrome

2.0 BLOCK DIAGRAM



5.0 PIN ASSIGNMENT

PIN No.	Symbol
1	/RES
2	/RD
3	/WR
4	SEL2
5	SEL1
6	/CS
7	A0
8-15	DB0-DB7
16	VDD
17	VSS
18	V0
19	VOUT
20	INH1
21	LEDA
22	LEDK

