

# PRODUCT PREVIEW

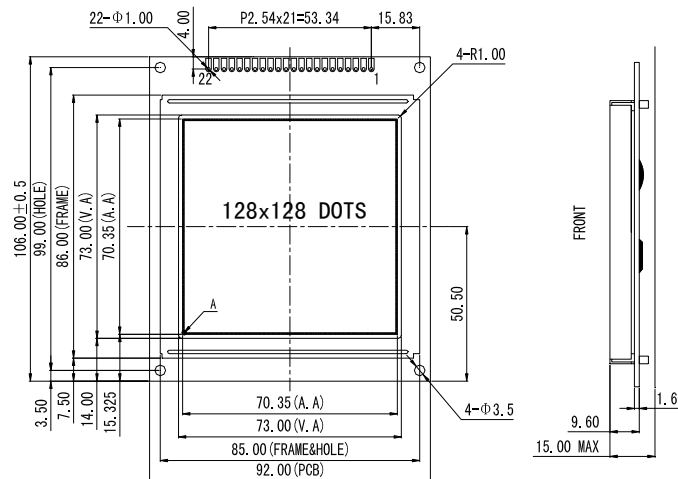
## 128x 128 Monochrome

### SPECIFICATIONS

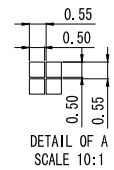
**MODULE**

Part Number	G-12812816C-VA
Format	128 Columns by 128 Rows
Controller	N/A
Overall Dimensions	92.0mm x 106.0mm x 15mm
Active Area	70.35mm x 70.35mm
Pixel Pitch	550um x 550um
Pixel Size	500um x 500um
Backlight System	LED
Driver Attach	N/A
Display Type	R,TF,TM
Duty	N/A
Bias	N/A

### 1.0 DIMENSIONAL DRAWING



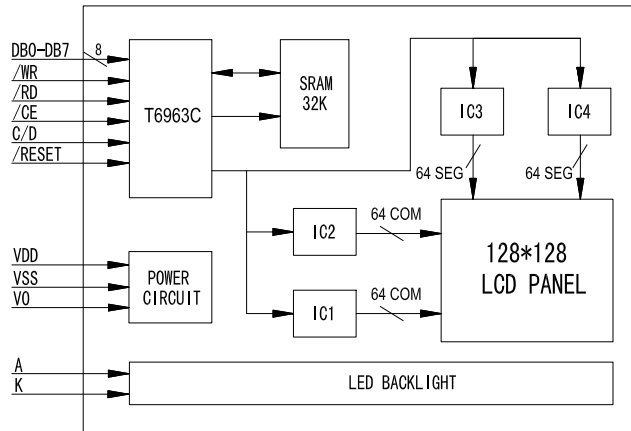
- Note:
1. Display Type: STN, Yellow-Green, Positive, Transflective
  2. Backlight: LED, Yellow-Green
  3. Controller: T6963C; VDD:5.0V
  4. Operating Temperature: -20°C ~ +70°C
  5. Storage Temperature: -30°C ~ +80°C
  6. ROHS
  7. Unmarked tolerances: ±0.2mm
- Remark: Both display type and backlight color of the LCM can be customized per request.



# PRODUCT PREVIEW

## 128 x 128 Monochrome

### 2.0 BLOCK DIAGRAM



### 5.0 PIN ASSIGNMENT

PIN No.	Symbol
1	A
2	K
3	VOUT
4	V0
5	FRAME
6	/HALT
7	VSS
8	VDD
9	/WR
10	/RD
11	/CE
12	C/D
13	/RESET
14-21	DB0-DB7
22	FS1

