

PRODUCT PREVIEW

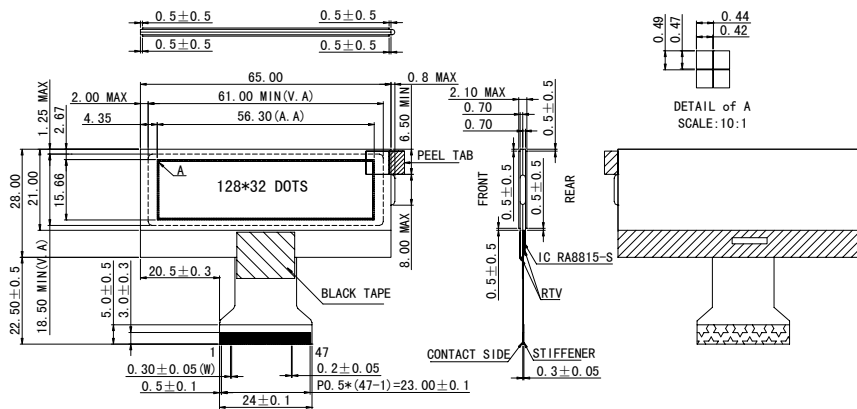
128x 32 Monochrome

SPECIFICATIONS

MODULE

Part Number	G-1283239G-VA
Format	128 Columns by 32 Rows
Controller	N/A
Overall Dimensions	65.0mm x 28.0mm x 2.1mm
Active Area	56.3mm x 15.66mm
Pixel Pitch	440um x 490um
Pixel Size	420um x 470um
Backlight System	None
Driver Attach	N/A
Display Type	R,TF,TM
Duty	N/A
Bias	N/A

1.0 DIMENSIONAL DRAWING



Note:

1. Display Type: STN-BLUE, Negative, Transmissive
2. Controller: RA8815; VDD:3.3V
3. Operating Temperature: -20°C ~ +70°C
4. Storage Temperature: -40°C ~ +85°C
5. ROHS
6. Unmarked tolerance: ±0.2mm

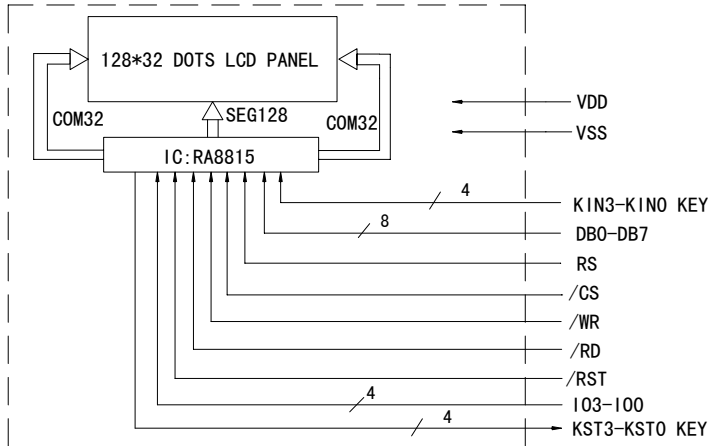
Remark: Display type of the LCM can be customized per request.



PRODUCT PREVIEW

128 x 32 Monochrome

2.0 BLOCK DIAGRAM



5.0 PIN ASSIGNMENT

PIN No.	Symbol	PIN No.	Symbol
1	VLCD	29	/CS
2	C2M	30	C86
3	C2P	31	BIT4
4	C1M	32	P/S
5	C1P	33	/INT
6-7	GND	34-37	KST3-KST0 KEY
8-9	VDD	38-42	KIN4-KINO KEY
10-14	V0-V4	43-46	I03-100
15	VREG	47	/RST
16	RA		
17	RB		
18-25	DB7-DB0		
26	/RD		
27	/WR		
28	RS		

Phoenix Display International reserves the right to change document without prior notice and disclaims all warranties. It is the recipients duty to confirm with PDI before proceeding with a design. This document is PDI confidential and should not be reproduced without PDI approval.

